



TPS

SERIES

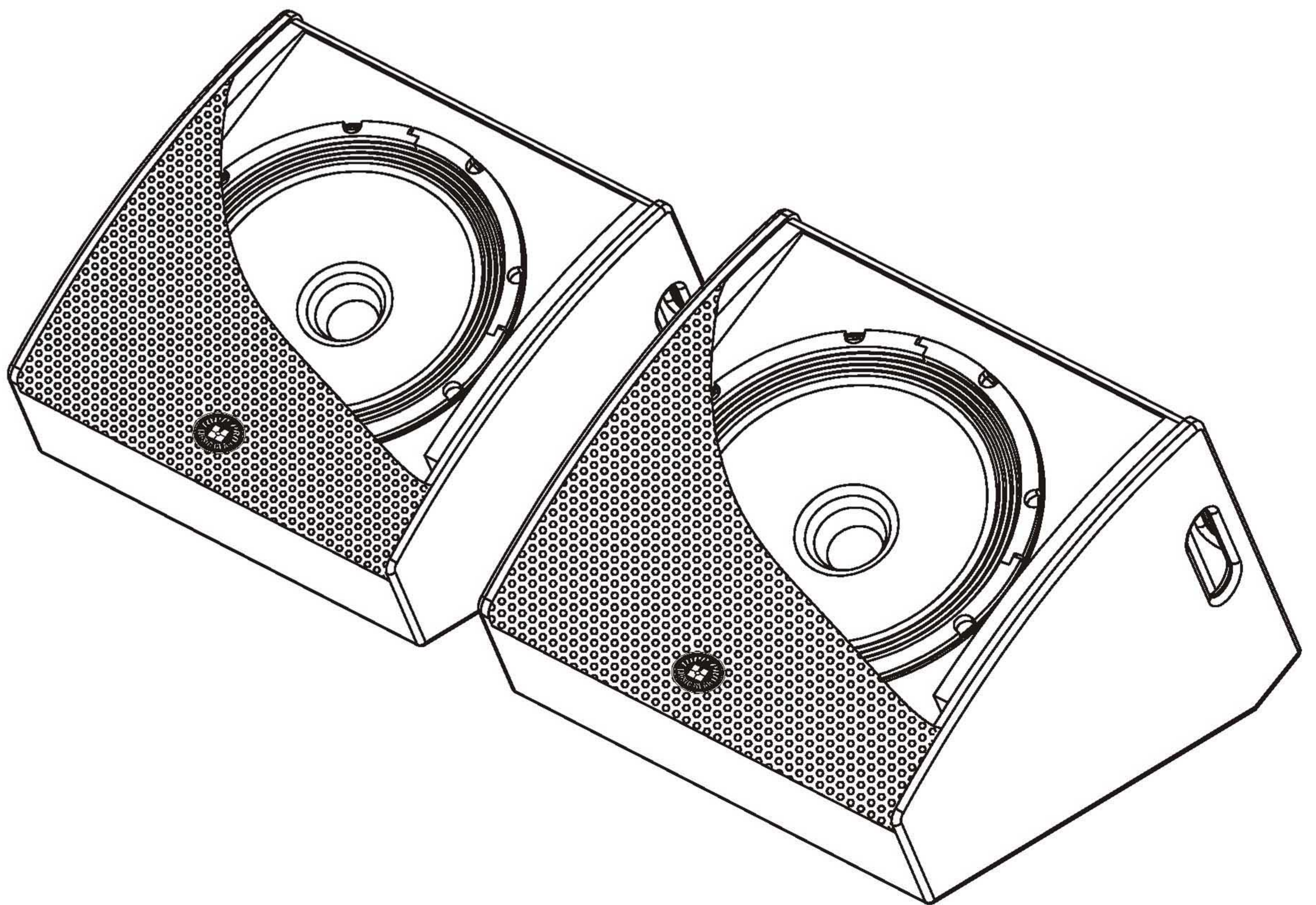
User's Manual

**PROFESSIONAL ACTIVE
AUDIO MONITORS
TPS 10MA / 12MA**

10"

12"


**ACTIVE
SPEAKER**




IMPORTANT SAFETY INSTRUCTION



TO REDUCE THE RISK OF ELECTRIC SHOCK PLEASE DO NOT REMOVE THE COVER OR THE BACK PANEL OF THIS EQUIPMENT. THERE ARE NO PARTS NEEDED BY USER INSIDE THE EQUIPMENT. FOR SERVICE, PLEASE CONTACT QUALIFIED SERVICE CENTERS.

 This symbol, wherever used, alerts you to the presence of un-insulated and dangerous voltages within the product enclosure. These are voltages that may be sufficient to constitute the risk of electric shock or death.


 This symbol, wherever used, alerts you to important operating and maintenance instructions. Please read.

- ⊕ Protective Ground Terminal
- ~ AC mains (Alternating Current)
- ⚡ Hazardous Live Terminal

ON: Denotes the product is turned on.
OFF: Denotes the product is turned off.

CAUTION

Describes precautions that should be observed to prevent damage to the product.

1. Read this Manual carefully before operation.
2. Keep this Manual in a safe place.
3. Be aware of all warnings reported with this symbol. 
4. Keep this Equipment away from water and moisture.
5. Clean it only with dry cloth. Do not use solvent or other chemicals.
6. Do not damp or cover any cooling opening. Install the equipment only in accordance with the Manufacturer's instructions.
7. Power Cords are designed for your safety. Do not remove Ground connections! If the plug does not fit your AC outlet, seek advice from a qualified electrician. Protect the power cord and plug from any physical stress to avoid risk of electric shock. Do not place heavy objects on the power cord. This could cause electric shock or fire.
8. Unplug this equipment when unused for long periods of time or during a storm.
9. Refer all service to qualified service personnel only. Do not perform any servicing other than those instructions contained within the User's Manual.
10. To prevent fire and damage to the product, use only the recommended fuse type as indicated in this manual. Do not short-circuit the fuse holder. Before replacing the fuse, make sure that the product is OFF and disconnected from the AC outlet.

WARNING

To reduce the risk of electric shock and fire, do not expose this equipment to moisture or rain.



Dispose of this product should not be placed in municipal waste and should be separate collection.

11. Move this Equipment only with a cart, stand, tripod, or bracket, specified by the manufacturer, or sold with the Equipment. When a cart is used, use caution when moving the cart / equipment combination to avoid possible injury from tip-over.



12. Permanent hearing loss may be caused by exposure to \ extremely high noise levels. The US. Government's Occupational Safety and Health Administration (OSHA) has specified the permissible exposure to noise level. These are shown in the following chart:

HOURS X DAY	SPL	EXAMPLE
8	90	Small gig
6	92	train
4	95	Subway train
3	97	High level desktop monitors
2	100	Classic music concert
1,5	102	
1	105	
0,5	105	
0,25 or less	110	
	115	Rock concert

According to OSHA, an exposure to high SPL in excess of these limits may result in the loss of heat. To avoid the potential damage of heat, it is recommended that Personnel exposed to equipment capable of generating high SPL use hearing protection while such equipment is under operation.

The apparatus shall be connected to a mains socket outlet with a protective earthing connection.

The mains plug or an appliance coupler is used as the disconnect device, the disconnect device shall remain readily operable.

Index

1. PROLOGUE	4
2. FEATURES	4
3. USEFUL INFORMATION	4
4. CONTROL ELEMENTS	5
5. INSTALLATION & CONNECTION DIAGRAM	7
6. WIRING CONNECTIONS	10
7. FREQUENCY RESPONSE DIAGRAMS	11
8. TECHNICAL SPECIFICATIONS	12
9. GUARANTEE	13

1

Introduction

Thank you very much for expressing your confidence in **TOPP PRO MUSIC GEAR** products by purchasing **TPS 10MA/12MA** powered monitor speaker system.

The **TPS 10MA/12MA** monitor are specifically designed for using in hi-quality performance site and the precise sound commercial place.

TPS 10MA/12MA are small-sized and compact stage monitor models, using trapezium configuration which greatly decreases the resonance of standing wave in the cabinet. These cabinets uses hi-density matrix spray paint technics and the bottom bracket design which make mounting quickly and flexibly. HF compression driver and vented LF for fully professional performance. **TPS 10MA/12MA** powered monitor speaker cabinets include some exclusive innovations such as switch mode power supply and digital power circuitry (in selected modes) that make them the lightest powered cabinets of this kind ever made.

TPS 10MA/12MA full range models include other innovation: The **MODELLER**. Thanks to this circuitry user can select 16 different tastes and applications.

Enjoy your **TPS 10MA/12MA** powered Monitor speaker & make sure to read this Manual carefully before operation. Thanks again for choosing **TOPP PRO**.

2

Features

The excellent quality of **TPS 10MA/12MA** powered monitor speakers cabinets will provide the following features:

- Small and compact stage monitor.
- Trapezium configuration decreases the resonance of the standing wave in the cabinet.
- Using hi-density matrix spray-paint technics for the cabinets.
- The bottom bracket design makes mounting quickly and flexibly.
- HF compression driver and vented LF for fully professional performance.
- Preset - FOH / Monitor.
- Switch mode power suply and digital power circuitry.

3

Usefull Data

Please write your serial number here for future reference.

Serial Number:

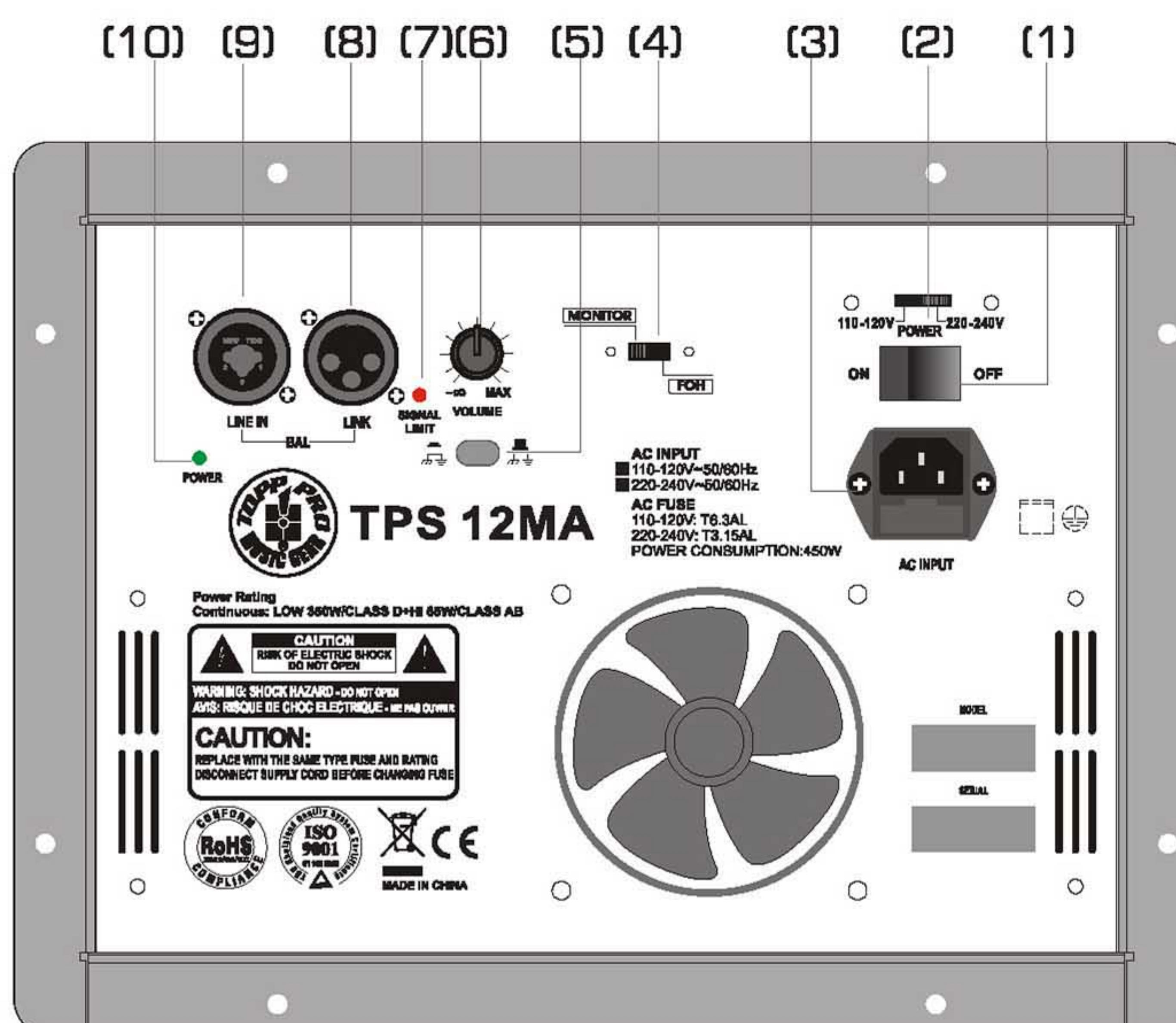
Date of Purchase:

Purchased at:

Control Elements

TPS 10MA/12MA Powered Monitor Cabinet

- 1- ON-OFF main power switch
- 2- Voltage selector between 110-120V and 220-240V
- 3- Input AC power socket with main fuse
- 4- Monitor or FOH selector
- 5- Ground switch
- 6- Volume main power amplifier control
- 7- SIGNAL LIMIT, Red LED, indicating ON status
- 8- LINE OUT at -6dBu on XLR connector
- 9- LINE IN at -6dBu on COMBO connector
- 10- POWER, Green LED, indicate ON status



Installation & Connection Diagram

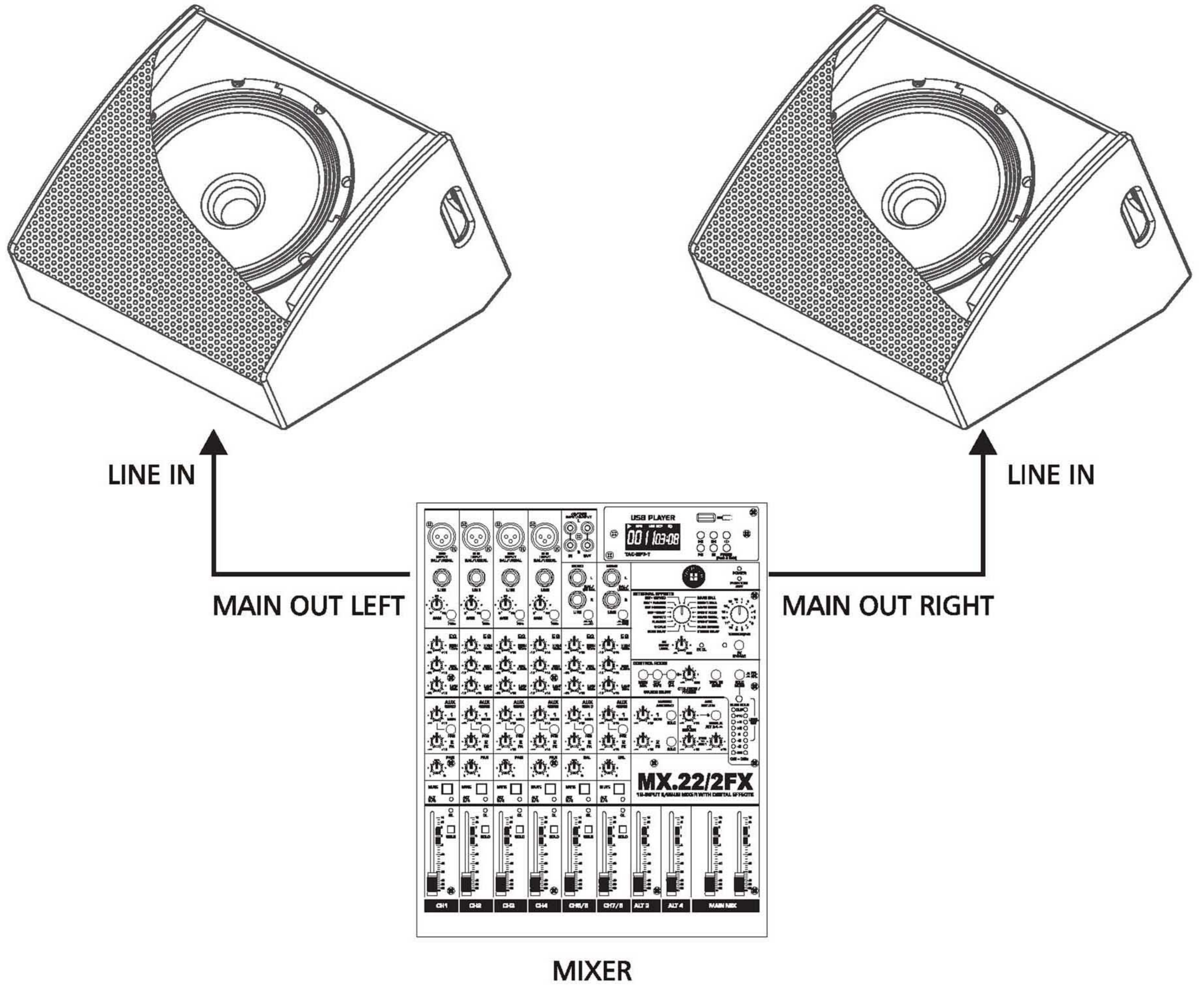
Make your initial connections with all the equipment powered off, and ensure that all the main volume controls are turned down completely.

- 1) Connect one side of the signal cable at your mixer into the Main Output Left / Right (with 1/4" Jack or XLR) and the other side of the cable to the Line Input (COMBO) of your TPS 10MA/12MA monitor speaker cabinet (with 1/4" Jack or XLR)
- 2) Connect the power cord to mains.
- 3) Turn ON your mixer first, then the TPS 10MA/12MA cabinets.
- 4) Turn up the volume control of the TPS 10MA/12MA cabinets.
- 5) Use PFL function to get the proper input level for the mixer, and adjust the Main Mix Level control to reach the desired output level.
- 6) After use, turn off your active speaker cabinets first, then the mixer.

5

Installation & Connection Diagram

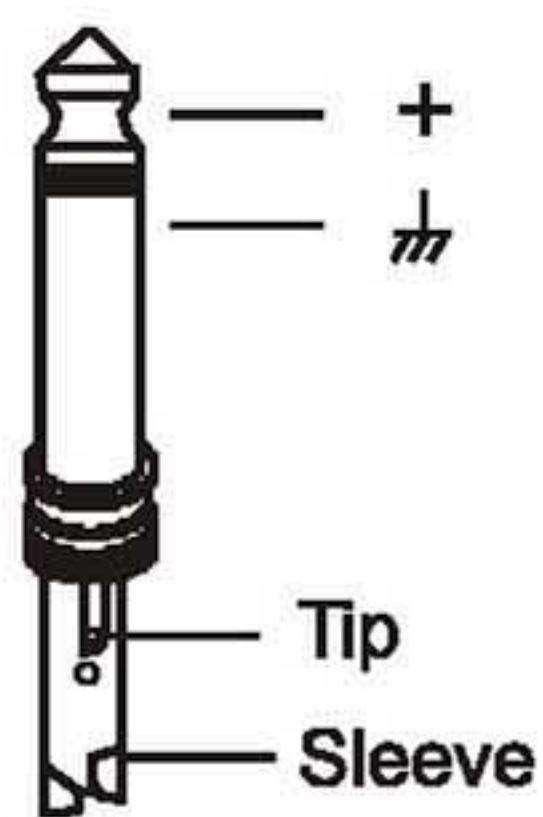
For TPS 10MA / 12MA Monitors on the floor



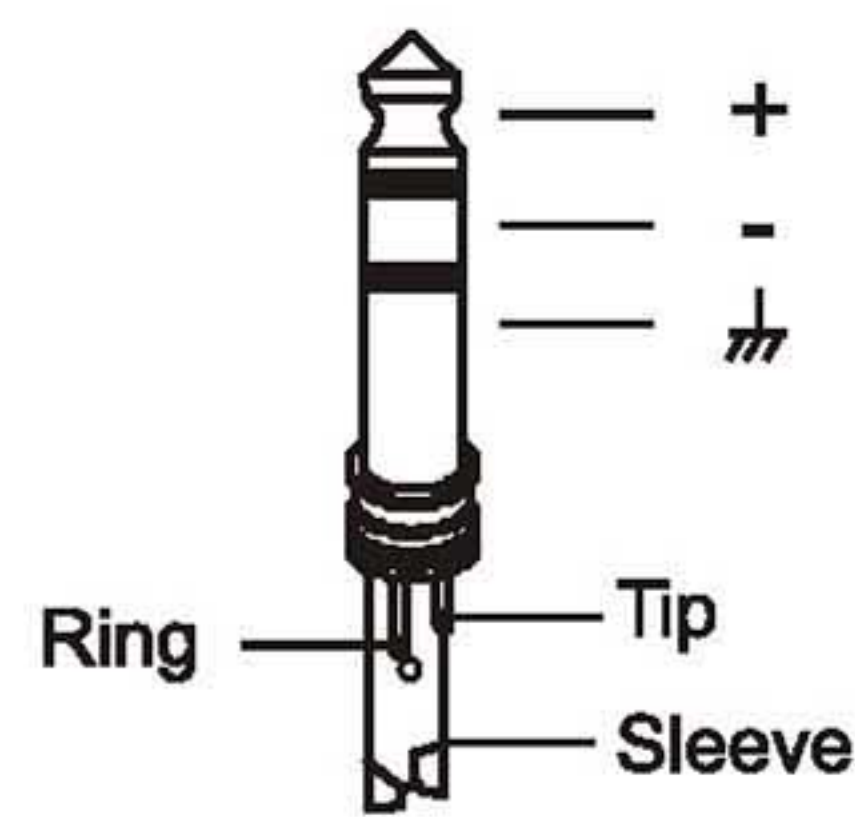
Wire Connections

Either the 1/4" TRS phone jack or XLR connector can be wired in balanced and unbalanced modes, which will be determined by the actual application status, please wire your system as the following wiring examples:

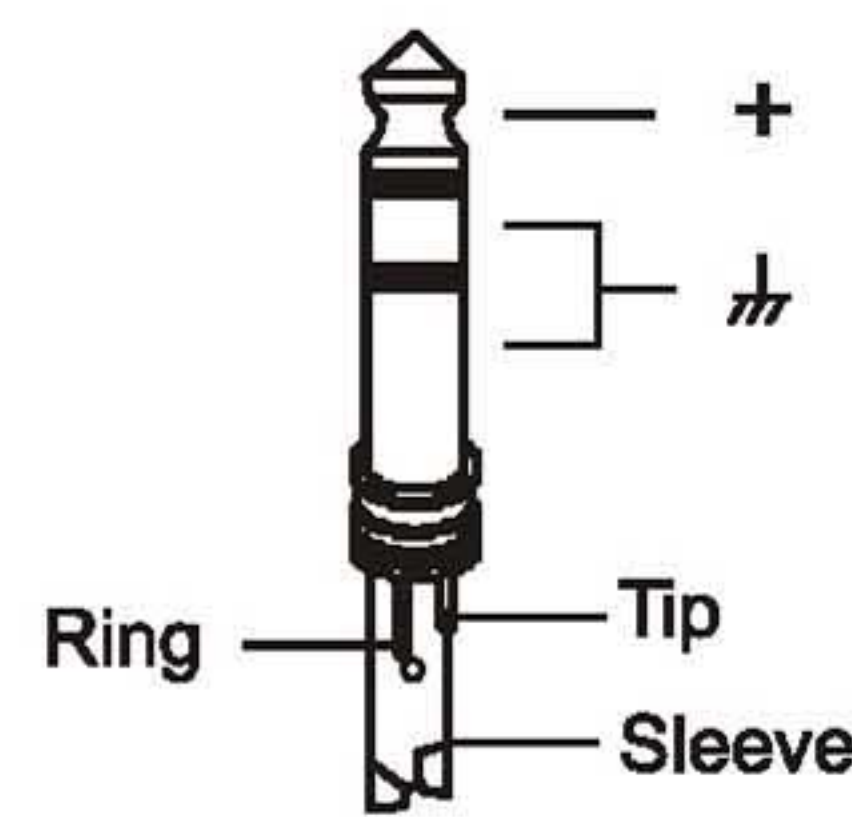
For 1/4" Phone jack



TS Type Unbalanced

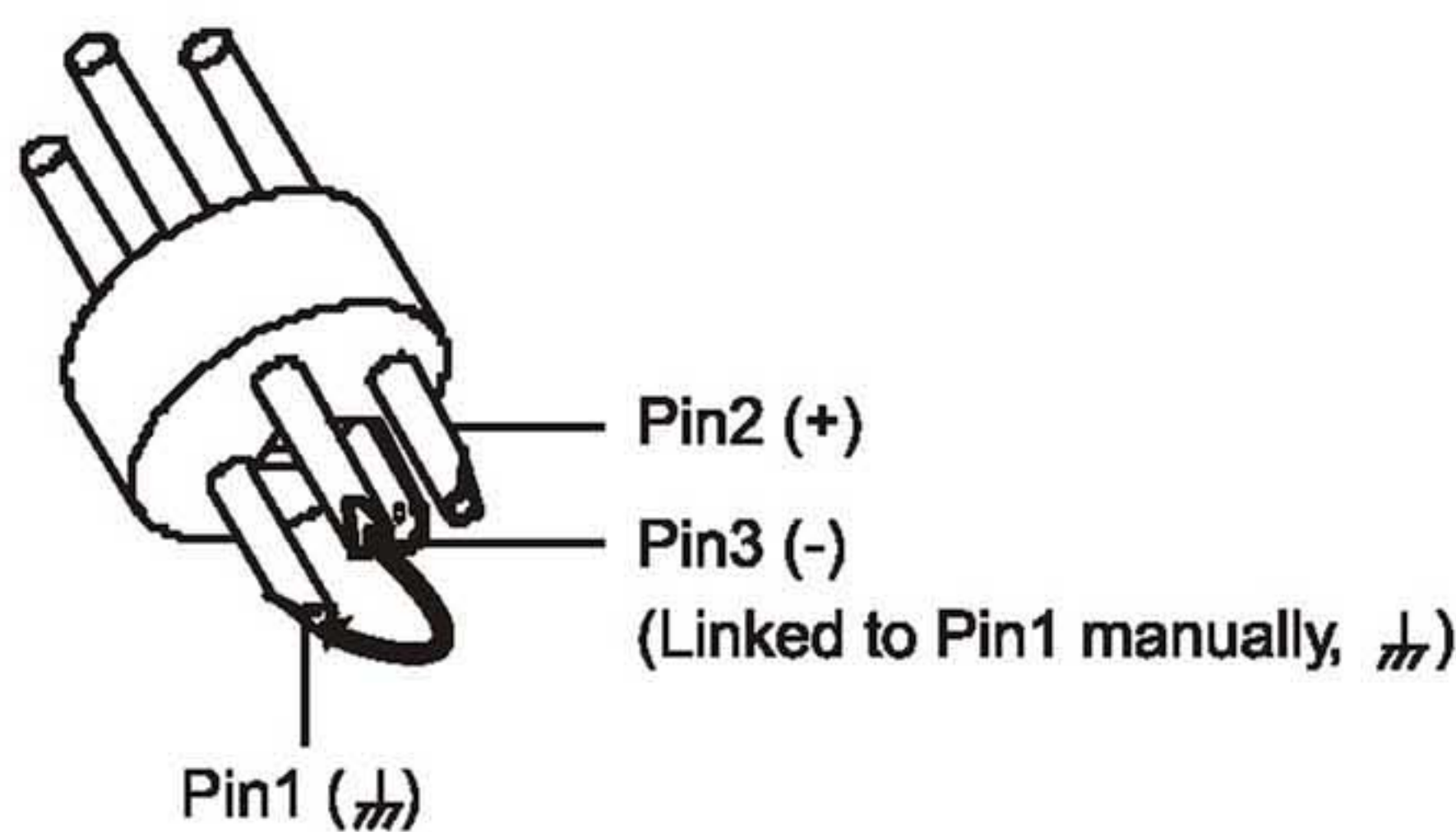


TRS Type Balanced

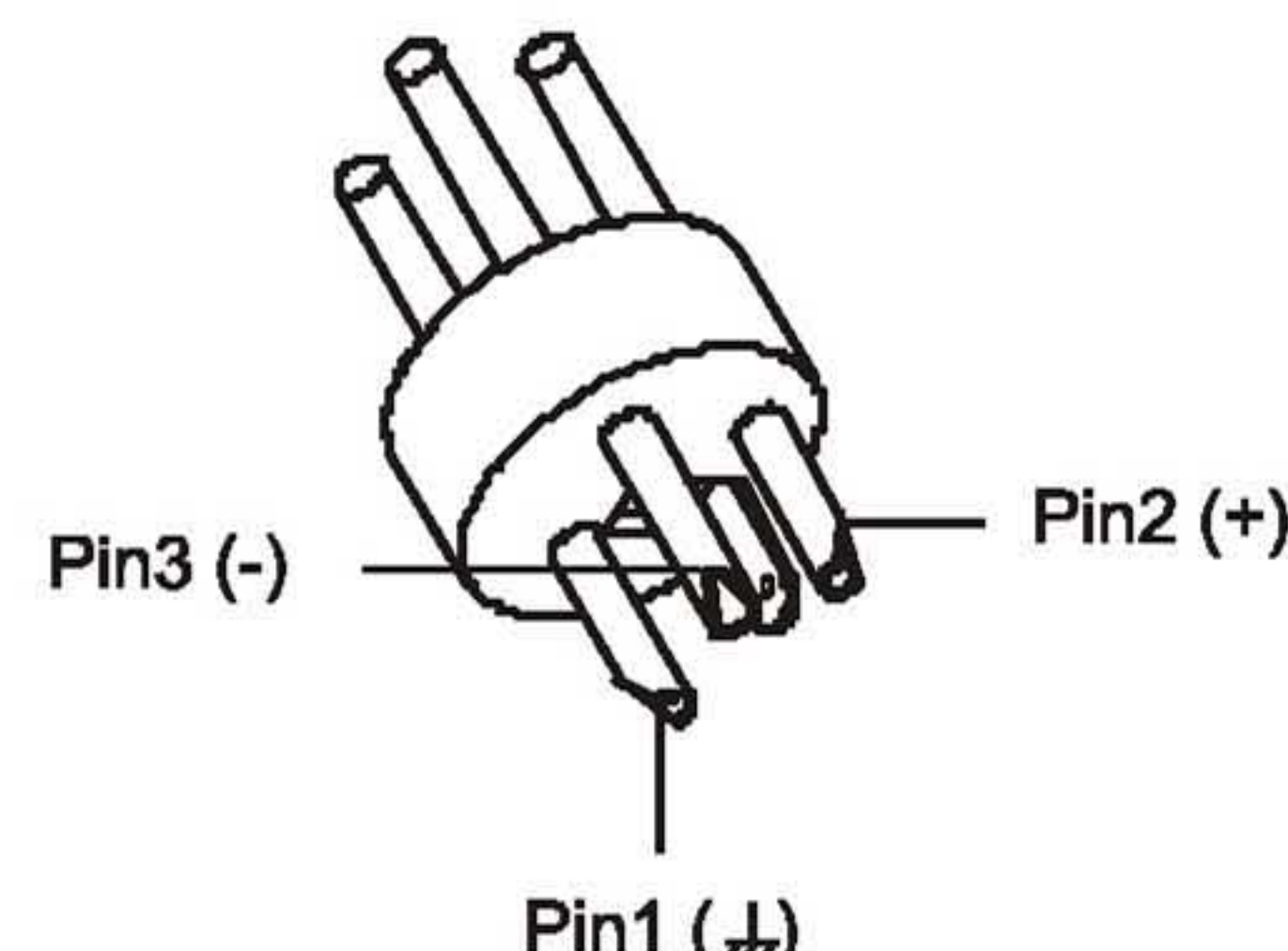


TRS Type Unbalanced

For XLR connector



XLR Type Unbalanced

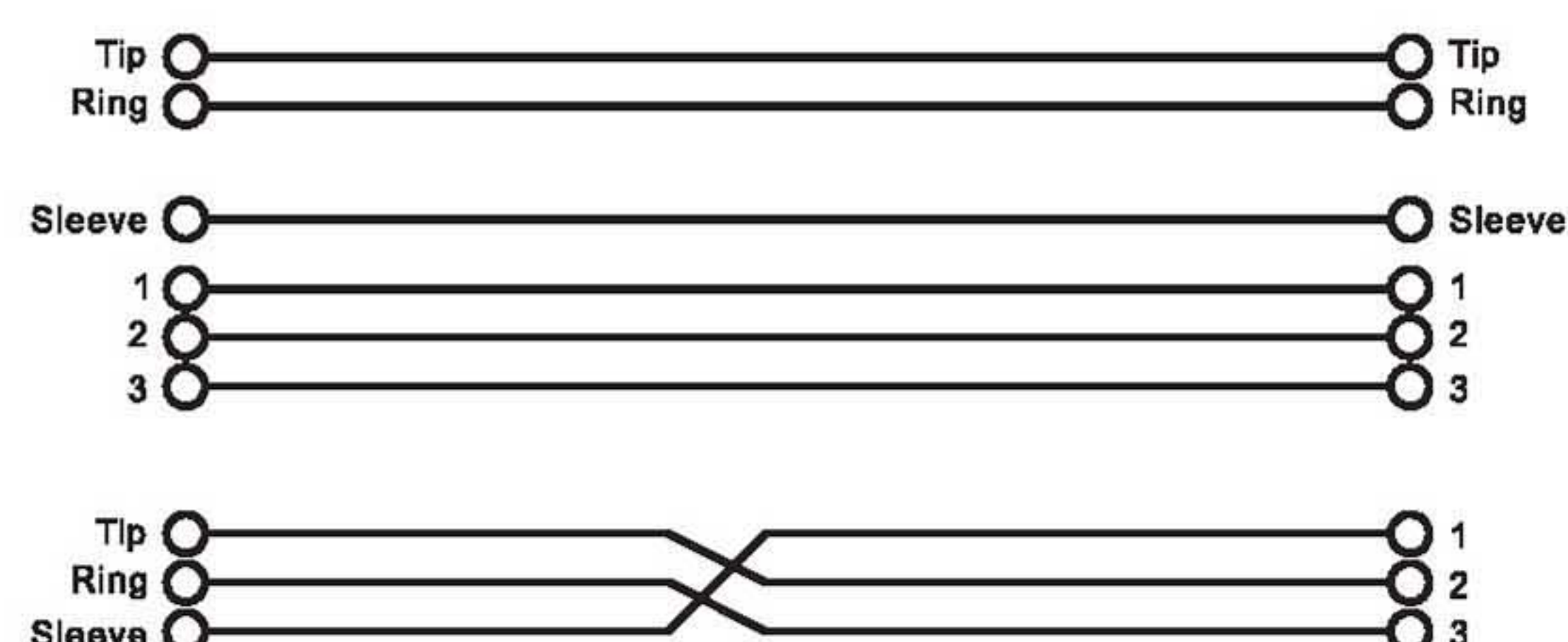
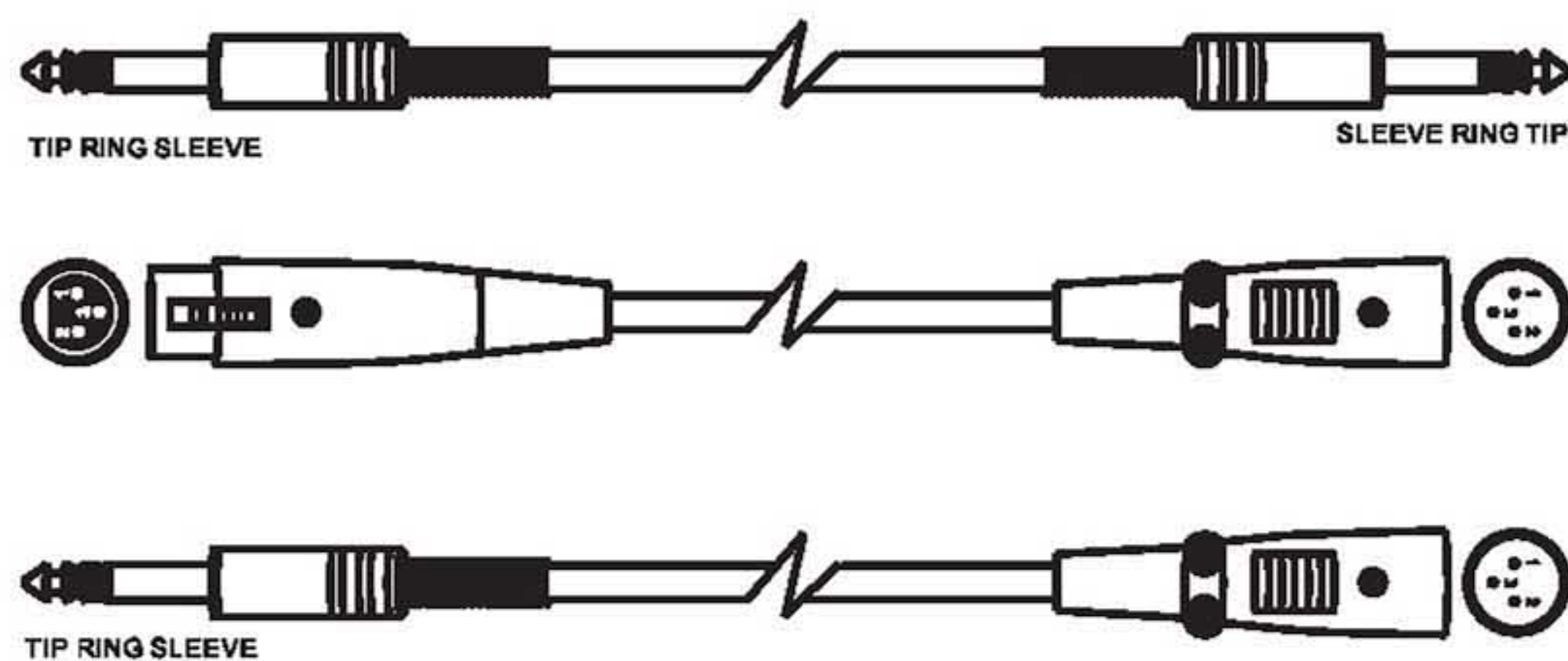


XLR Type Balanced

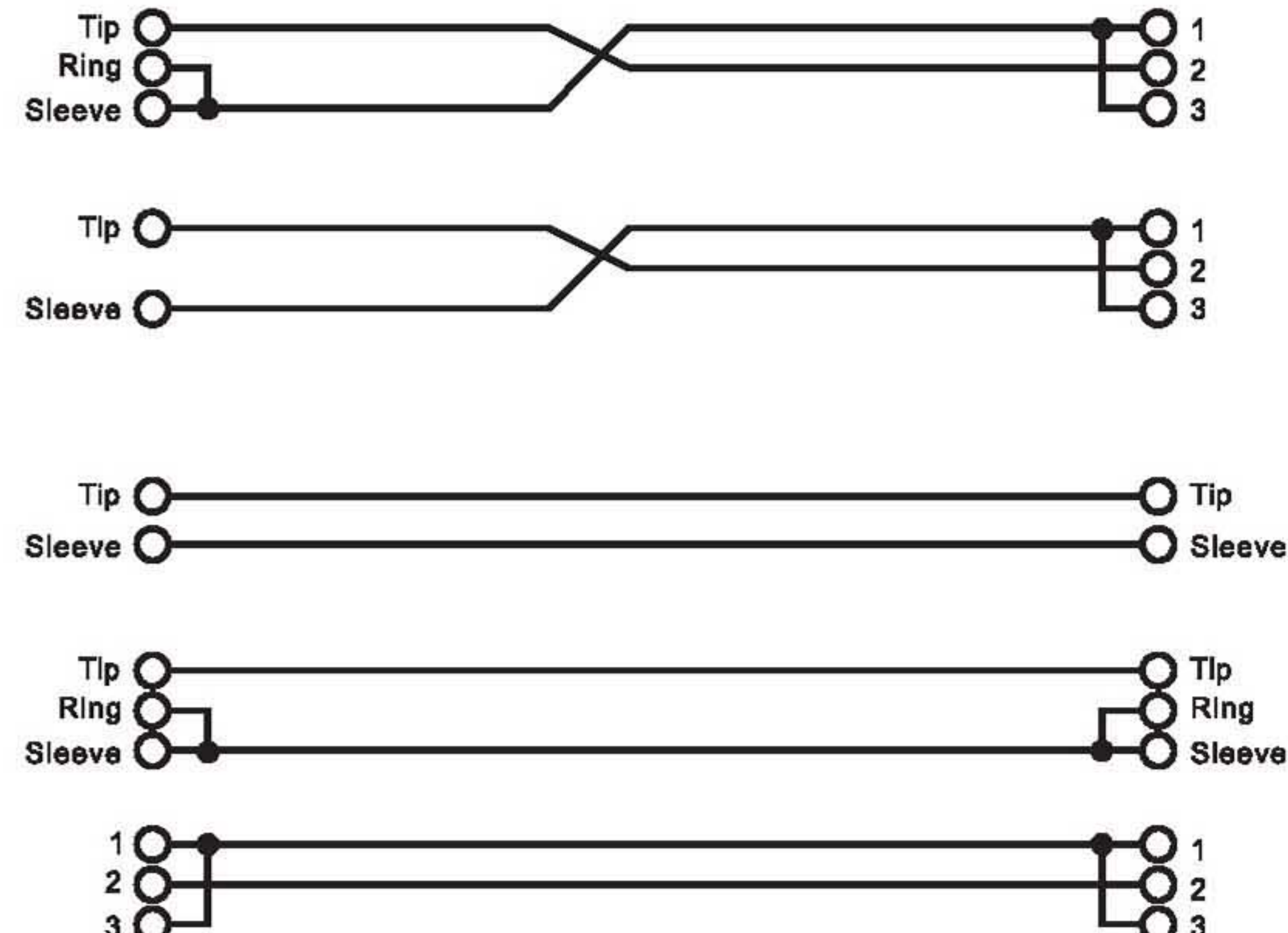
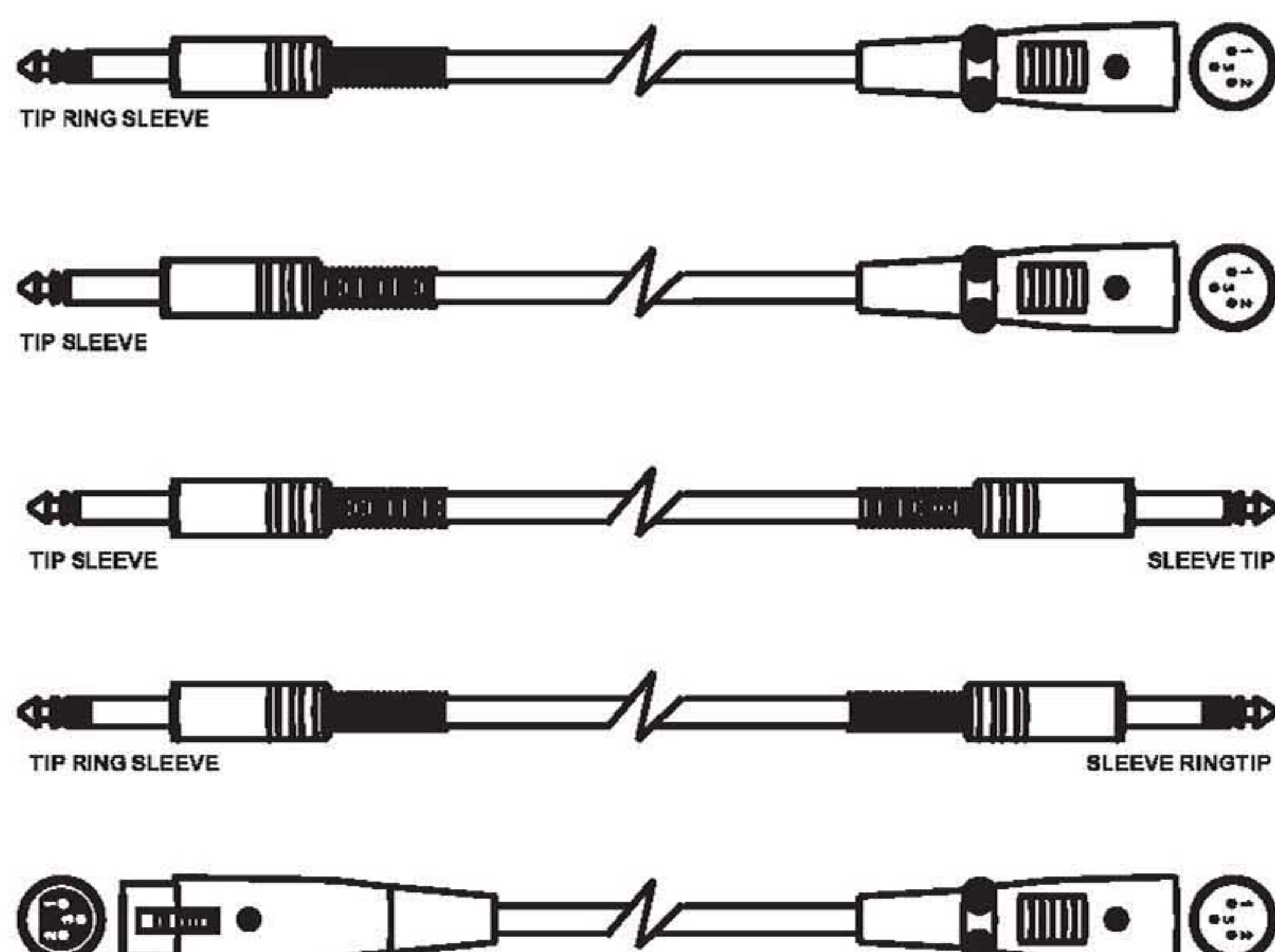
In-line Connection

For these applications the unit provides 1/4" TRS and XLR connectors to easily interface with most professional audio devices. Follow the configuration examples below for your particular connection.

• Balanced



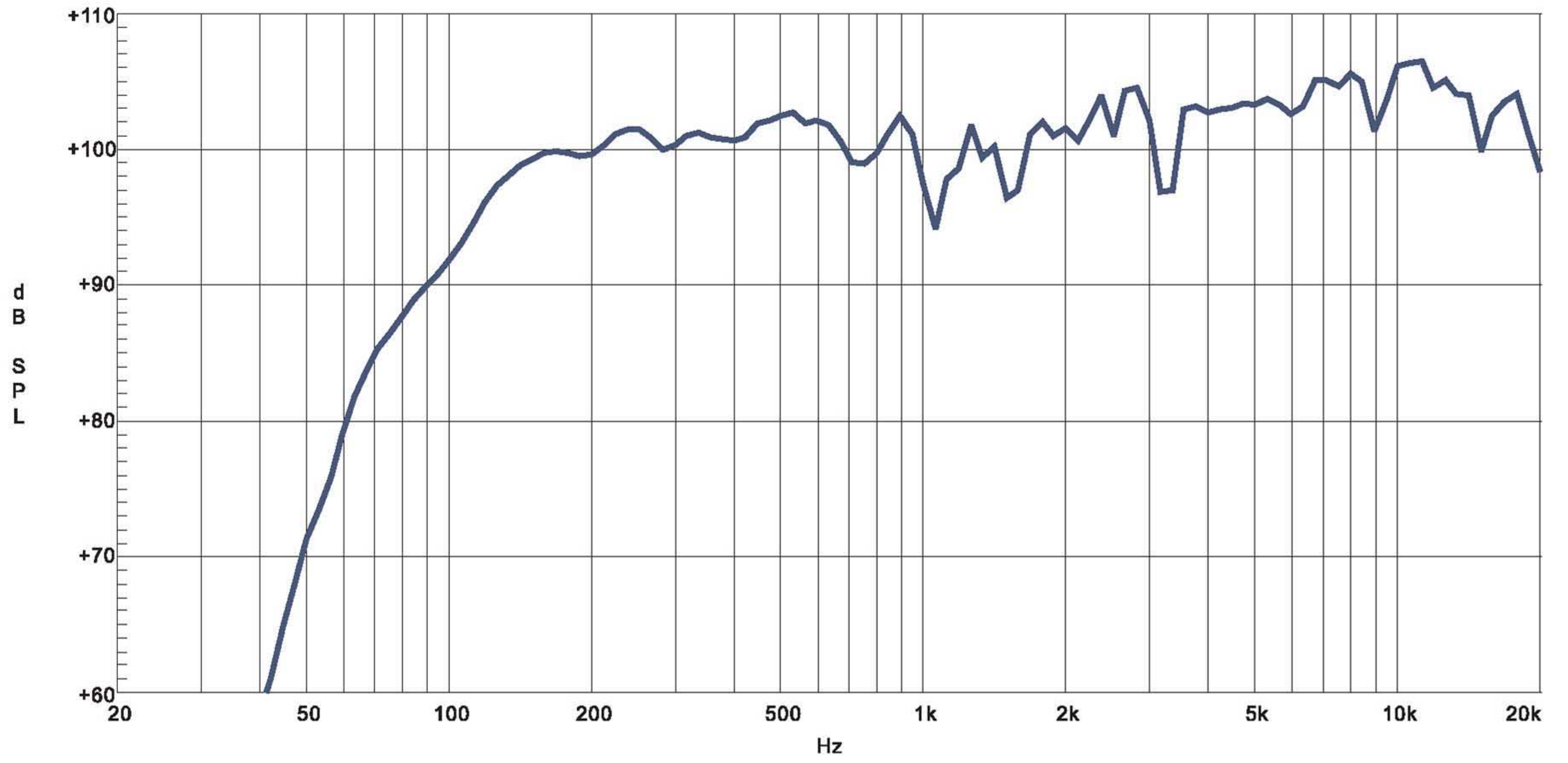
• Unbalanced



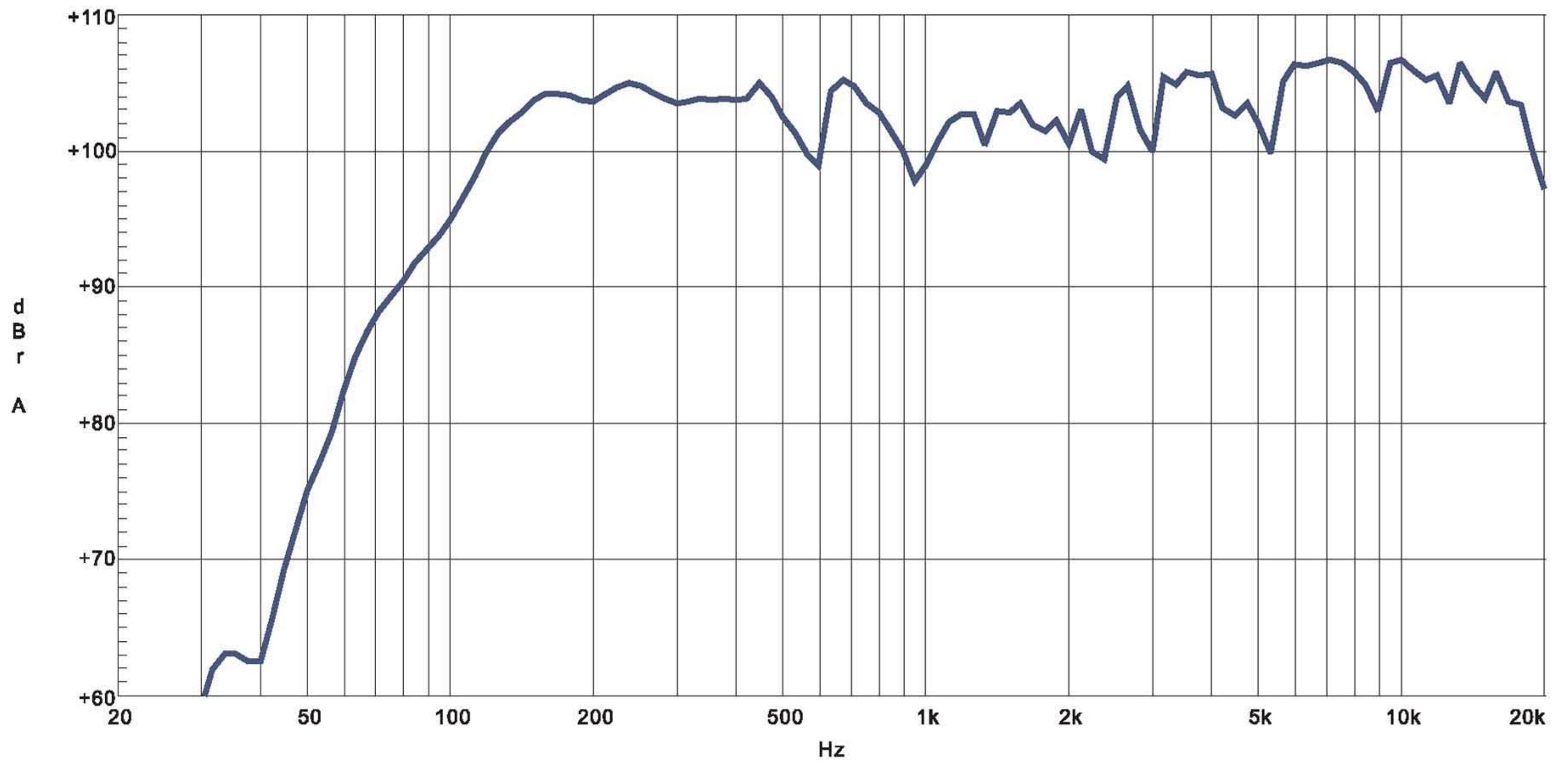
7

Frequency Response Diagrams

TPS 10MA

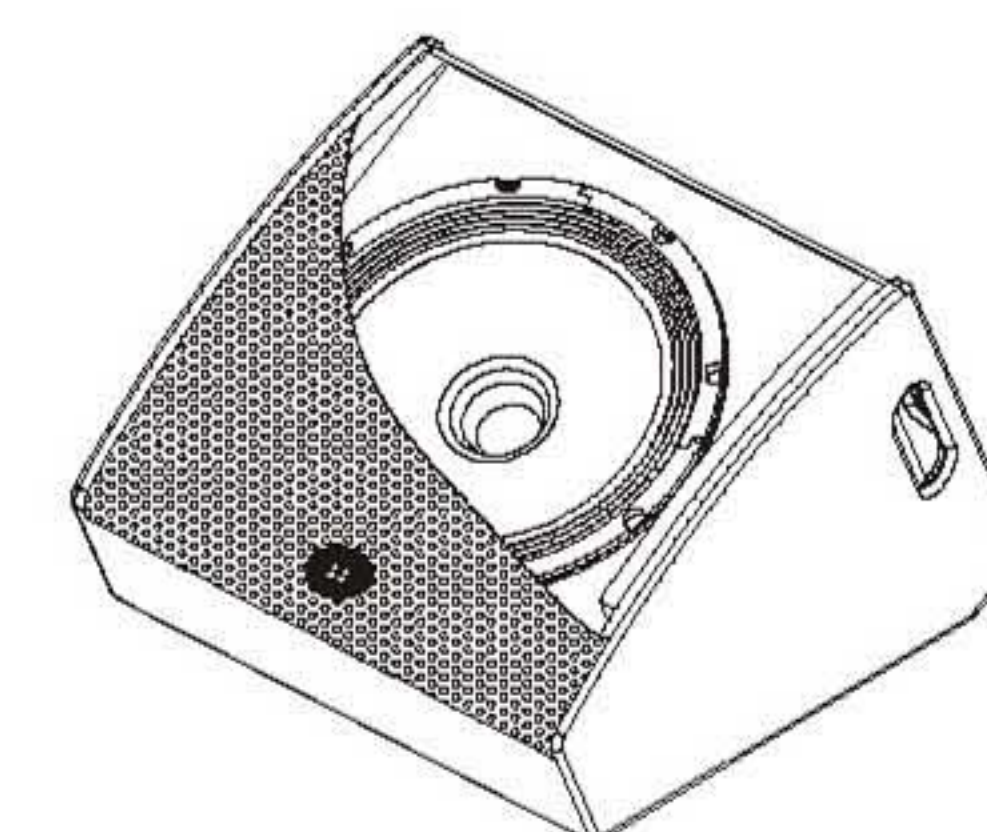


TPS 12MA



Technical Specifications

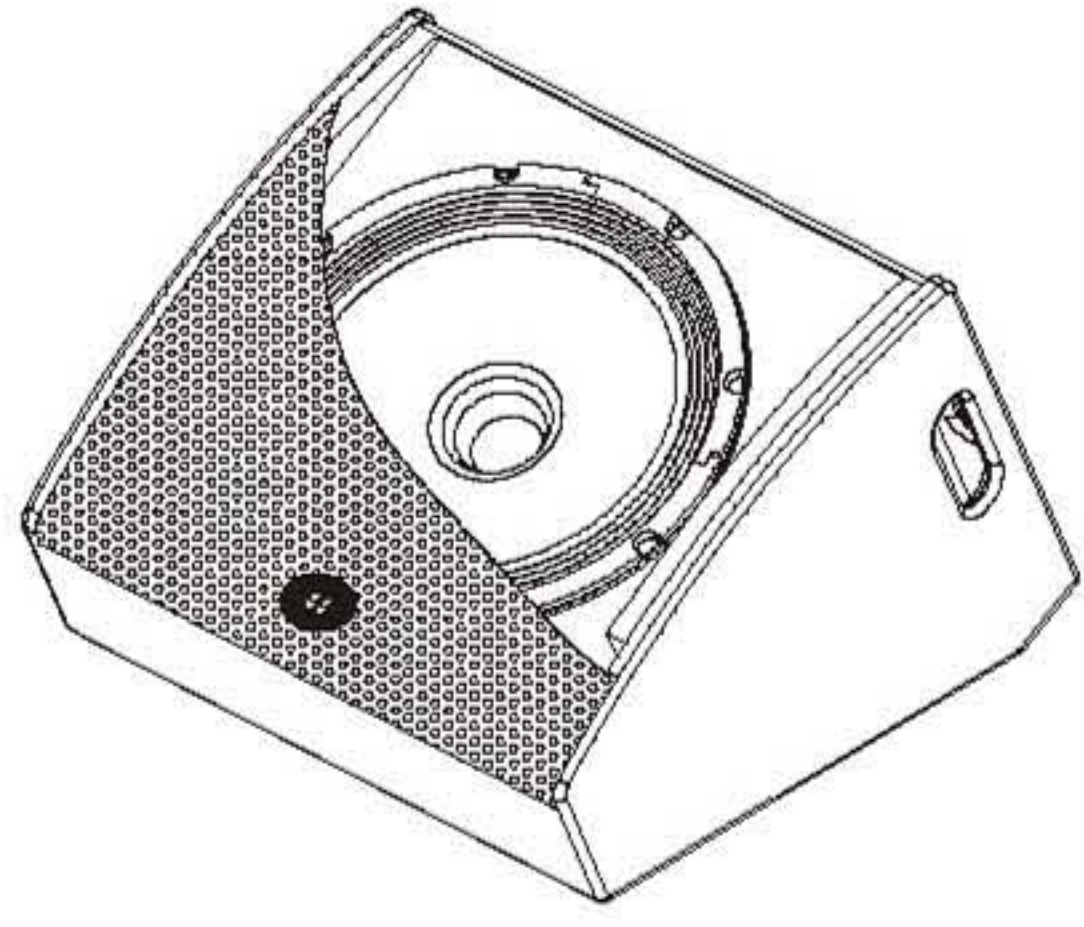
8



Model	TPS 10MA
System Type	2-Way Bi-Amp Active Monitor Speaker, with two EQ modes
Continuous Power	Low 350W/Class D + Hi 65W/Class AB
Program Power	Low 700W/Class D + Hi 130W/Class AB
Input connectors	Input with Combo / Link with XLR
External control	Volume Control / Power ON with Green LED / Clip Limiter with Red LED / Ground Lift
Input Impedance	30 K Ω Balanced / 15K Ω Unbalanced
Preset	FOH / Monitor
Input Sensitivity	Line - 6dBu
Protection Low-High	Analog Limiter
Indicator	Power Indicator / Clip Indicator
Power Supply	110-120V~50/60Hz/220-240V~50/60Hz Switchable
Frequency Response	68Hz - 20KHz (-6dB)
Speaker Sensitivity (1m)	94dB / 120dB Max.
Low Frequency	10" (254mm) / 2" Voice Coil, with ventilation
High Frequency	1" Neodymium Driver / 1" Voice Coil
Horn Coverage (H x V)	70° x 70°
Enclosure	MDF WOOD Black Paint, Handle, metal grille, rubber foot
Dimensions (H x W x D)	10.7" (273mm) x 14.3" (362mm) x 14.54" (368mm)
Net Weight	11,65Kg / 25,68 lbs.

8

Technical Specifications



Model	TPS 12MA
System Type	2-Way Bi-Amp Active Monitor Speaker, with two EQ modes
Continuous Power	Low 350W/Class D + Hi 65W/Class AB
Program Power	Low 700W/Class D + Hi 130W/Class AB
Input connectors	Input with Combo / Link with XLR
External control	Volume Control / Power ON with Green LED / Clip Limiter with Red LED / Ground Lift
Input Impedance	30 KΩ Balanced / 15KΩ Unbalanced
Preset	FOH / Monitor
Input Sensitivity	Line - 6dBu
Protection Low-High	Analog Limiter
Indicator	Power Indicator / Clip Indicator
Power Supply	110-120V~50/60Hz/220-240V~50/60Hz Switchable
Frequency Response	60Hz - 20KHz (-6dB)
Speaker Sensitivity (1m)	95dB / 121dB Max.
Low Frequency	12" (305mm) / 2" Voice Coil, with ventilation
High Frequency	1" Neodymium Driver / 1" Voice Coil
Horn Coverage (H x V)	70° x 70°
Enclosure	MDF WOOD Black Paint, Handle, metal grille, rubber foot
Dimensions (H x W x D)	12.3" (313mm) x 15.5" (393mm) x 20.2" (513mm)
Net Weight	13.89 Kg / 30.62 lbs.

Guarantee

Topp Pro guarantees the normal operation of the product against any defect of manufacture and/or vice of material, by the term of (12) months, counted as of the date of purchase on the part of the user, committing itself to repair or to change, to its election, without position some, any piece or component that will fail in normal conditions of use within the mentioned period.

This guarantee is valid if the original buyer will have to present/display this certificate properly sealed and signed by the selling house, accompanied by the corresponding invoice of purchase where it consisted the model and serial number of the acquired equipment.

The guarantee does not cover:

- Damages caused by the illegal use of the product, repair and/or nonauthorized modification conducted by people by **Topp Pro**.
- Damages caused by the connection of the equipment to other equipment different from the specified ones in the manual of use, or by bad connection to these last ones.
- Damages caused by electrical storms, blows and/or incorrect transport.
- Damages caused by excesses or falls of tension in the network or by connection to networks with a tension different from the required one by the unit.
- Damages caused by the presence of sand, acid of batteries, water, or any strange element inside the equipment.
- Deteriorations produced by the course of the time, use and/or normal wear of the unit.
- Alteration or absence of the serial number of factory of the equipment.

The repairs could only be carried out the authorized technical service by **Topp Pro**, that will inform about the term and other details into the repairs to take place according to this guarantee.

Topp Pro, will repair this unit in counted a term nongreater to 30 days as of the date of entrance of the unit to the Technical Service. In those cases in that due to the particularity of the spare part, outside necessary their import, the repair time and the viability of the same one will be subject to the effective norms for the import of parts, in which case one will inquire to the user about the term and possibility into repair.

With the object of its correct operation, and of the validity of this one guarantee, this product will have to be installed and to be used according to the instructions that are detailed in the manual associate or the package of the product.

This unit will be able to appear for its repair, next to the invoice of purchase (or any other proof where the date of purchase consists), to its authorized distributor **Topp Pro** or an authorized technical center on watch by **Topp Pro**.

Exclusion of damages:

THE RESPONSABILITY OF TOPP PRO BY ANY DEFECTIVE PRODUCT IS LIMITED THE REPAIR OR THE REPLACEMENT OF HE HIMSELF, TO TOPP OPTION PRO. IF WE CHOSE TO REPLACE THE PRODUCT, THE REPLACEMENT CAN BE A RECONDITIONATED UNIT. TOPP PRO WILL NOT BE RESPONSIBLE BY THE DAMAGES BASED ON THE LOST, INCONVENIENCE, LOSS OF USE, BENEFITS, LOST SAVINGS, BY THE DAMAGE TO OTHER EQUIPMENT OR OTHER ARTICLES IN THE USE SITE, OR BY ANY OTHER DAMAGE IF HE IS FORTUITOUS, CONSEQUENT OR OF ANOTHER TYPE, ALTHOUGH TOPP PRO HAS BEEN NOTICED OF THE POSSIBILITY OF SUCH DAMAGES.

Some states do not allow to the exclusion or the limitation to the fortuitous or consequent damages, so the aforesaid limitation can not be applied to you.

This guarantee gives specific legal rights him, you you can also have other right that varies of state to state.



TOPP PRO MUSIC GEAR

www.topppro.com

TTPS
SERIES



TPS
SERIES

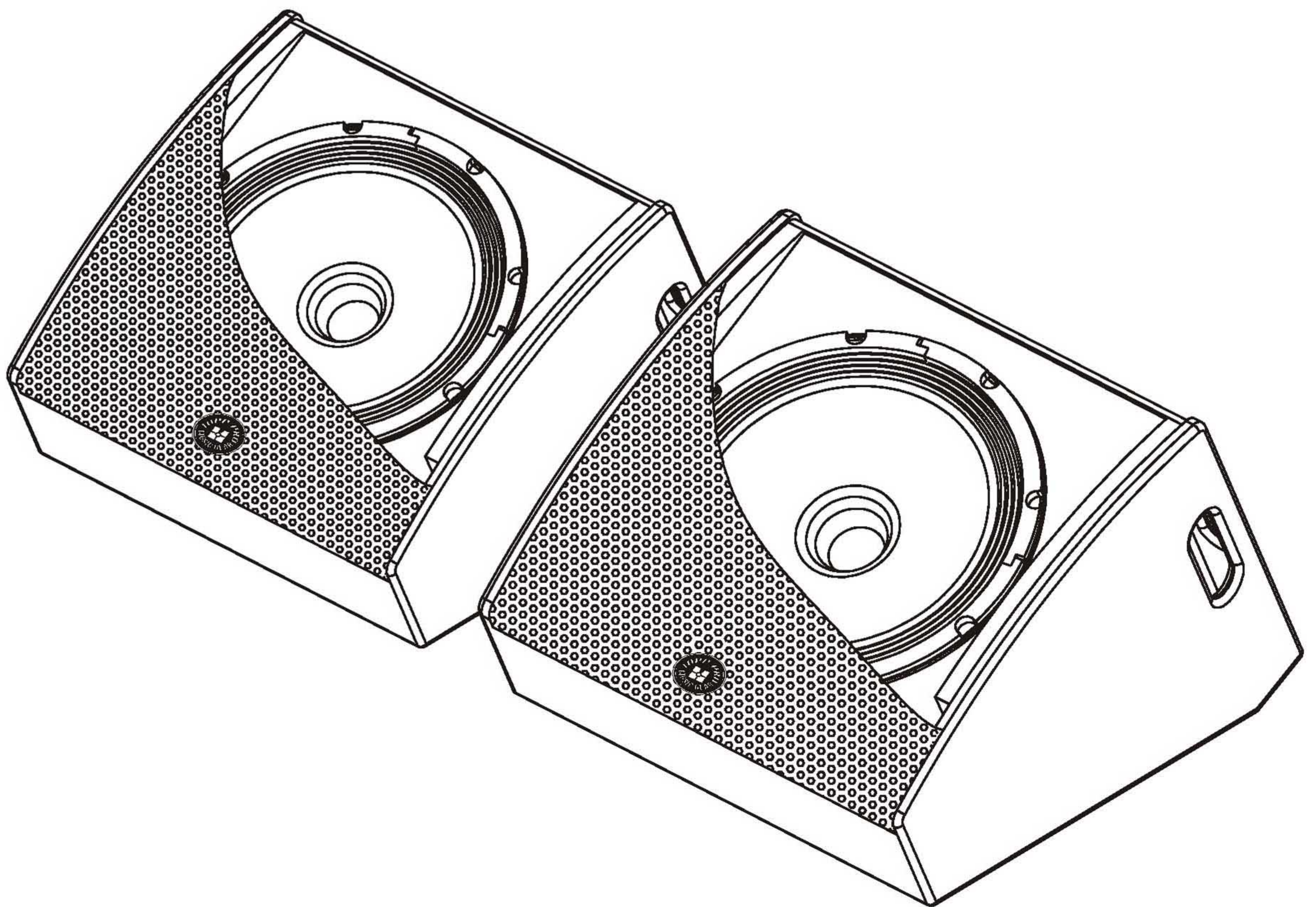
Manual de Usuario

**MONITORES ACTIVOS
PROFESIONALES DE AUDIO
TPS 10MA / 12MA**

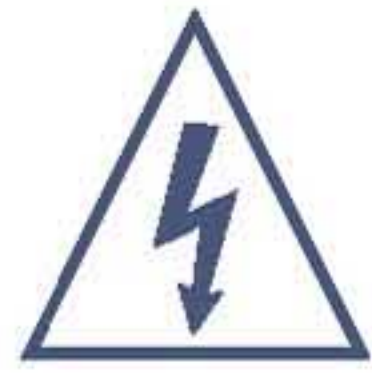
10"

12"

GABINETE
ACTIVO



Símbolos Relacionados con Seguridad



Este símbolo siempre es utilizado para alertarle de la presencia de voltajes peligrosos dentro de ésta unidad. Estos voltajes pueden constituir suficiente riesgo de un toque eléctrico.



Este símbolo siempre es utilizado para alertarle de importantes instrucciones de operación o de mantenimiento. Por favor cuando lo vea lea la instrucción.



Terminal de Tierra



AC Principal (Corriente Alterna)



Terminal Peligrosa Viva

ON:

Denota que la unidad está encendida

OFF:

Denota que la unidad está apagada

Advertencia: Describe precauciones que deben ser tomadas para prevenir la muerte o heridas del usuario.

Precaución: Describe las precauciones que deben ser observadas para prevenir daños en la unidad.



No deposite ninguna parte de ésta unidad en los basureros municipales. Utilice depósitos especiales para esos efectos.

Advertencia

Fuente de Alimentación

Asegúrese de que el voltaje general es igual al voltaje del equipo antes de encender el aparato. No comprobarlo puede resultar en daños en el equipo y en el usuario.

Desconecte el equipo ante la amenaza de tormenta eléctrica o cuando no va usarse por largos períodos de tiempo.

Conexión Externa

La conexión de cableado en conectores vivos requiere que sea realizado por personal instruido, o implica la utilización de cableado listo para usar. No usarlo implica riesgo de incendio o muerte.

No remueva los paneles

En el interior del producto hay áreas en las que hay altos voltajes. No quite los paneles hasta desconectar el cable de la red principal de alimentación. Los paneles deben ser removidos solo por personal de servicio calificado.

No hay partes útiles en el interior.

Fusible

Para prevenir el riesgo de fuego o daños al producto, use solo el tipo de fusible recomendado en este manual. No ponga en cortocircuito el soporte del fusible. Antes de reemplazar el fusible, asegúrese que el producto está apagado y desconectado de la red de electricidad.

Conexión a Tierra

Antes de encender el equipo, asegúrese que está conectado a tierra. Esto prevendrá el riesgo de choque

eléctrico.

Nunca corte los cables internos o externos. Asimismo, nunca remueva la conexión a tierra.

Instrucciones de Operación

Este aparato no debe ser expuesto a salpicaduras o gotas y no se deben apoyar vasos con líquidos sobre el aparato. Para reducir el riesgo de choque eléctrico, no exponga este aparato a la lluvia o humedad.

No use este aparato cerca del agua. Instale este equipo de acuerdo a las instrucciones del fabricante.

No instale el equipo cerca fuentes de calor, tales como radiadores, estufas o cerca de otros aparatos que producen calor.

No bloquee ningún orificio de ventilación. No coloque ninguna fuente de llamas vivas (ej.: candelabros o velas) sobre el aparato.

INSTRUCCIONES IMPORTANTES DE SEGURIDAD

- Lea estas instrucciones.
- Siga estas instrucciones.
- Guarde estas instrucciones.
- Tenga en cuenta todas las advertencias.
- Use solo accesorios especificados por el fabricante.

Cable de alimentación y conexión

No altere el cable y el enchufe. Un enchufe polarizado tiene 2 patas con una más ancha que la otra. Un enchufe con toma a tierra posee 2 patas y una tercera es la conexión a tierra. Son diseñados teniendo en cuenta su seguridad. No quite la conexión a tierra!!

Conecte el equipo a un tomacorriente con tierra de protección. Conecte el equipo a un tomacorriente cercano y de fácil acceso.

Si su enchufe no entra en su tomacorriente requiera la ayuda de un electricista calificado.

Proteja al cable y al enchufe de cualquier presión física para evitar riesgo de choque eléctrico.

No coloque objetos pesados sobre el cable de alimentación. Esto puede causar choque eléctrico o fuego.

Limpieza

De ser necesario, sople el polvo del producto o utilice un paño seco.

No use solventes tales como, bencina, alcohol u otro fluido muy inflamable y volátil para limpiar el aparato. Límpielo con un trapo seco.

Servicio Técnico

Para servicio técnico consulte sólo con el personal de servicio calificado. Para reducir el riesgo de choque eléctrico, no realice ningún de tipo de servicio más allá del descripto en este manual.

ADVERTENCIA DE TRANSPORTE



Racks y Pedestales - El componente debe ser utilizado únicamente con racks o soportes recomendados por el fabricante.

La combinación de un componente y rack debe moverse con cuidado. Detenciones rápidas, fuerza excesiva y superficies desparejas pueden causar que el componente y rack vuelquen.

Tabla de contenido

1. INTRODUCCION	4
2. CARACTERISTICAS	4
3. DATOS UTILES	4
4. ELEMENTOS DE CONTROL	5
5. DIAGRAMA DE CONEXIONES	5
6. CONFIGURACIONES (ALAMBRADO)	7
7. DIAGRAMAS FRECUENCIA DE RESPUESTA	8
8. ESPECIFICACIONES TECNICAS	9
9. GARANTIA	11

1

Prólogo

Gracias por preferir los productos **Topp Pro**. Estos productos son diseñados por un equipo de ingenieros altamente calificados en la línea de pro-audio, con más de 30 años de experiencia. Cada producto que se entrega al mercado está construido con mucho orgullo y cuidado. Fue fabricado para satisfacer múltiples necesidades y aplicaciones, ofreciendo un valor excepcional a nuestros clientes.

La creatividad y dedicación de nuestros ingenieros, junto con la última tecnología en herramientas y los últimos conceptos en diseños acústicos, crean productos para aplicaciones reales. Todos los productos **Topp Pro** están probados por los más estrictos estándares y regulaciones de la industria.

Por favor lea este manual cuidadosamente para obtener el máximo rendimiento y funcionalidad de este equipo.

2

Características

- Poder Continuo: Bajos 350W Clase D + Altos 65W Clase AB
- Poder Programa: Bajos 700W Clase D + Altos 130W Clase AB
- Sonido y Rendimiento Profesional
- Gabinete en Madera Pintado
- Woofer de alto desempeño
- Sistema Bi-Amplificado
- Opciones de Funcionamiento: FOH/ Monitor
- Driver Premium de 1"
- Bocina de 10" Coaxial (TPS 10MA)
- Bocina de 12" Coaxial (TPS 12MA)

3

Datos útiles

Por favor anote aquí el número de serie para una futura referencia.

Número de Serie:

Fecha de Compra:

Adquirido en:

Elementos de Control

4

TPS 10MA/ 12MA Monitor Potenciado

- 1- Interruptor Principal de Encendido
- 2- Selector de Voltaje 110-120V ~ 220-240V
- 3- Conector de Entrada Principal de Corriente con Porta fusible
- 4- Selector de Funcionamiento: Monitor/FOH
- 5- Selector de tierra
- 6- Control de Volumen
- 7- Luz indicadora de Señal y Limitador
- 8- Salida de Línea a -6dB con Conector XLR
- 9- Entrada de Línea. Conector Combo XLR/1/4 TRS Balanceado
- 10- Luz indicadora de encendido

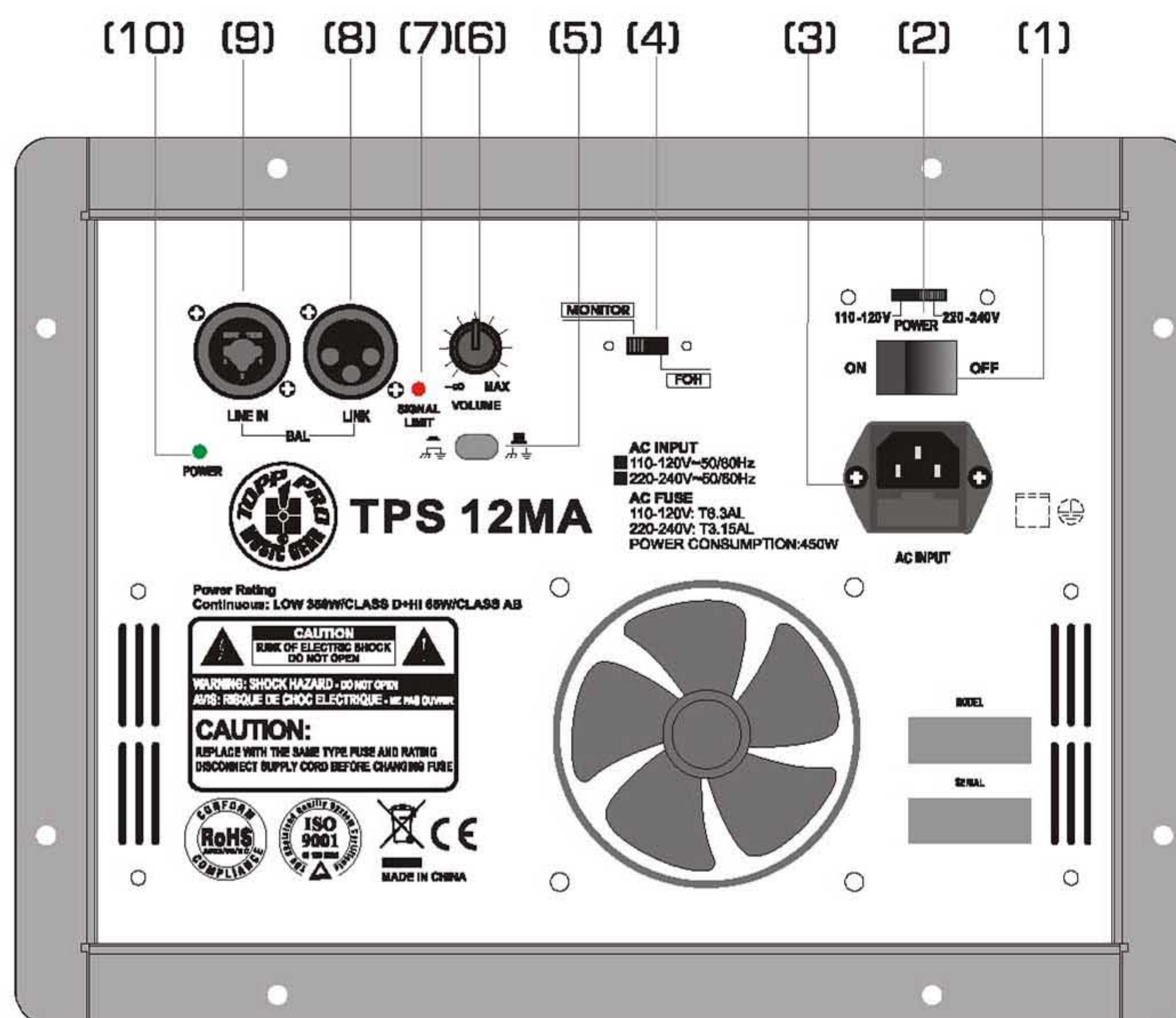


Diagrama de Conexión

5

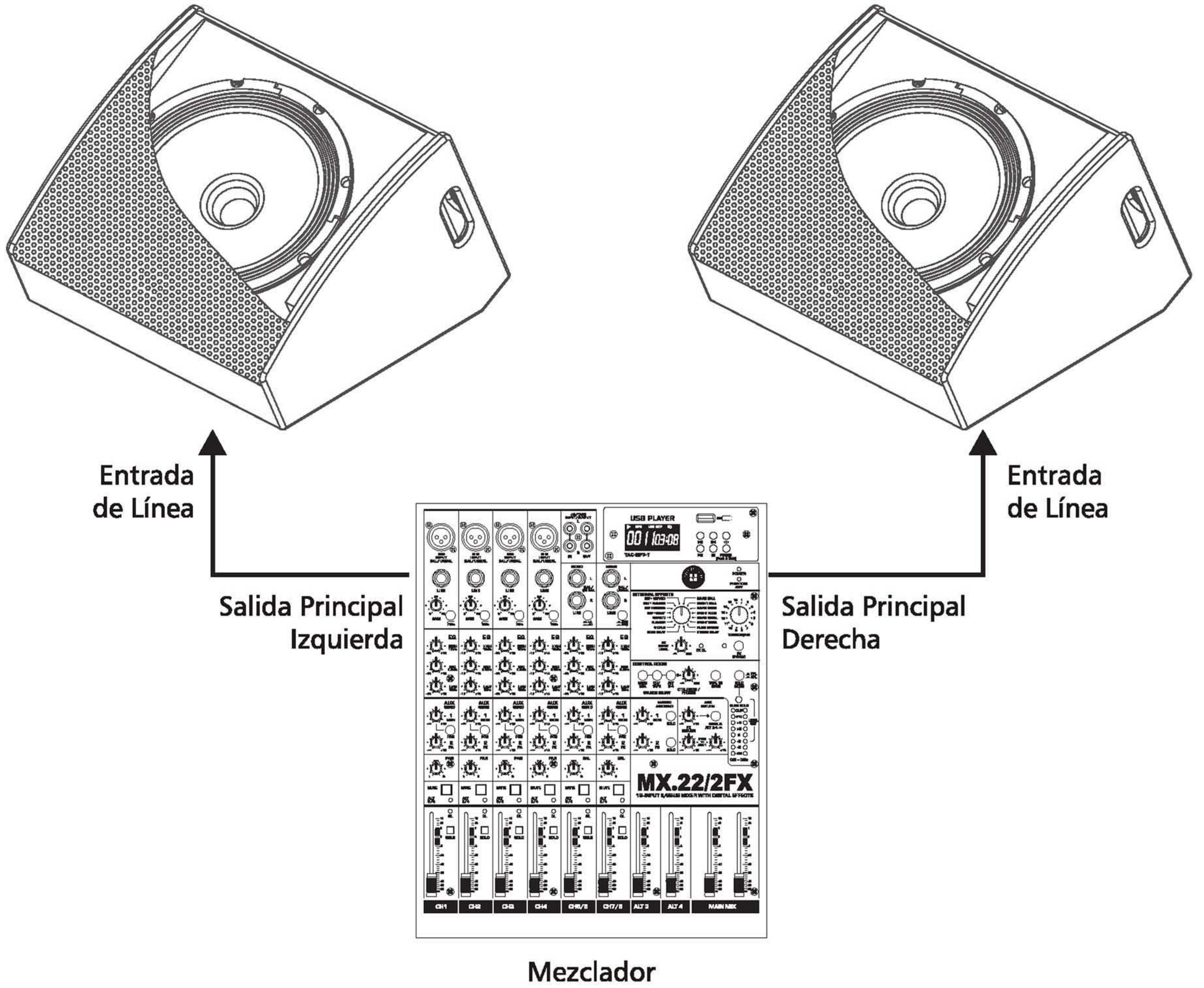
Antes de hacer cualquier conexión, asegúrese de que todo su equipo esté apagado. Además de que todos los controles de volumen estén totalmente abajo.

- 1) Conecte un de los lados del cable de señal a la salida de su mezclador izquierda / derecha con conector TRS o XLR y el otro lado del cable a la entrada de línea en el receptor tipo combo de su gabinete activo (con conector TRS o XLR).
- 2) Conecte el cable de corriente eléctrica.
- 3) Encienda su mezclador primero y después los gabinetes activos.
- 4) Suba el control de volumen de su gabinete activo hasta un 75%
- 5) Utilice la función del PFL para ajustar la entrada del canal del mezclador y manipule el volumen de su equipo desde el control maestro.
- 6) Después de utilizar el equipo, apague primero su amplificador de poder y después el mezclador

5

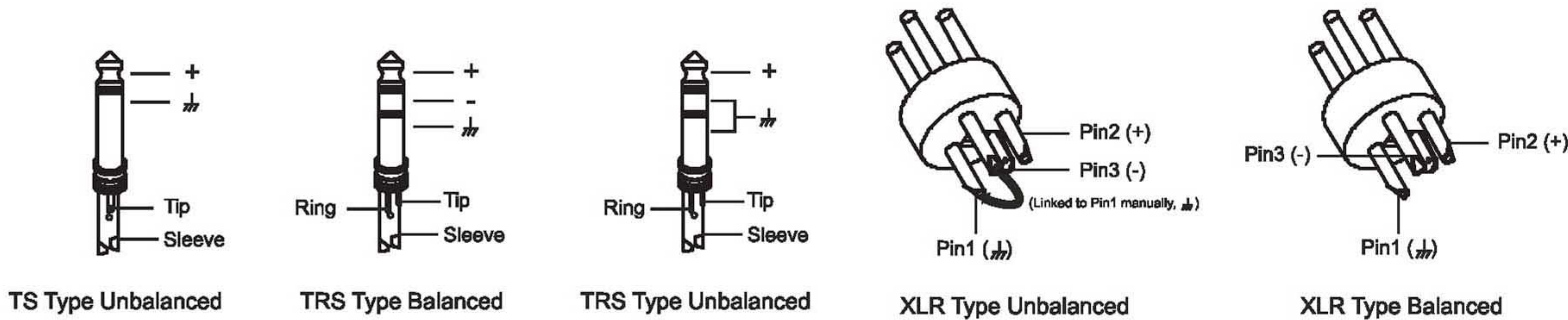
Diagrama de Conexión

Para Monitores TPS 10MA / 12MA ubicados en el piso



Configuración de Alambrado

Cualquiera de los dos conectores, ya sea el TRS de 1/4" o el XLR, pueden alambrarse en modo no balanceado o balanceado, dependiendo de la necesidad de trabajo. Los siguientes son unos ejemplos de cómo se pueden alambrear estos conectores:

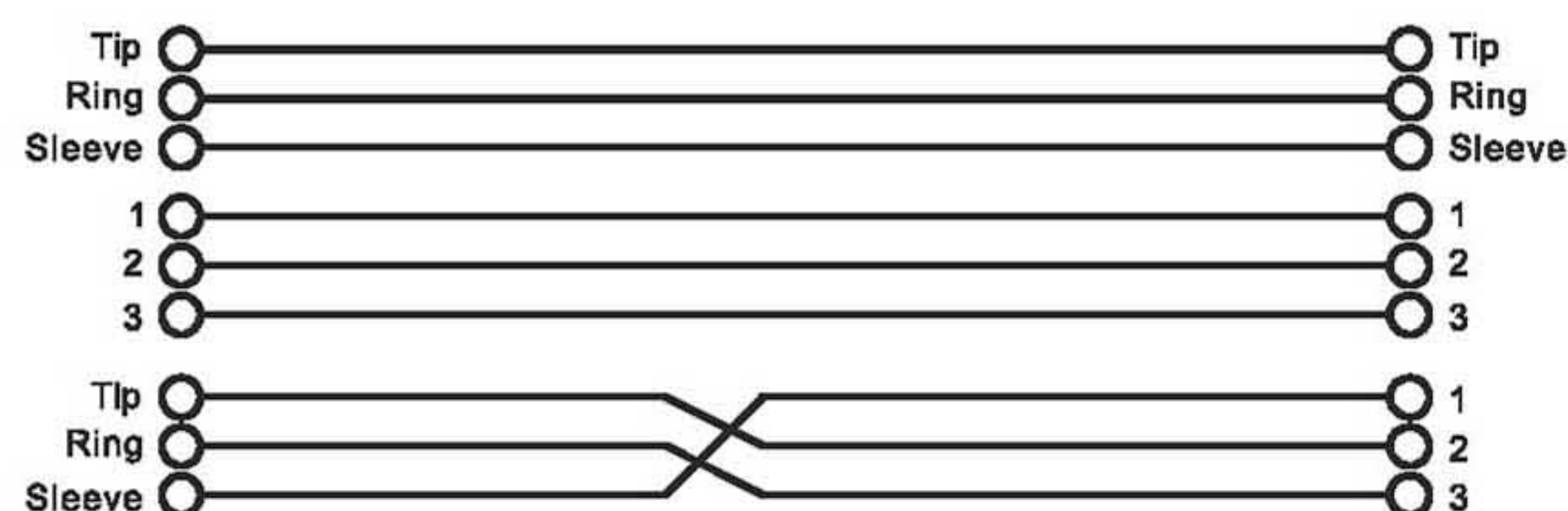
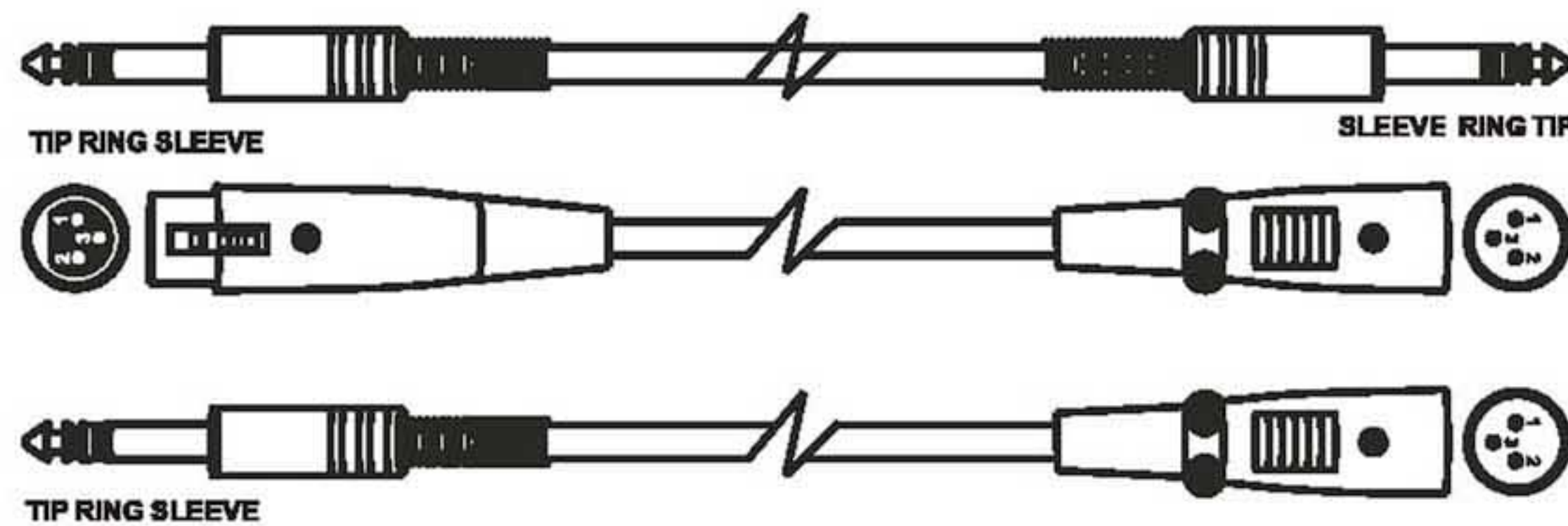


Conexión Línea de Entrada

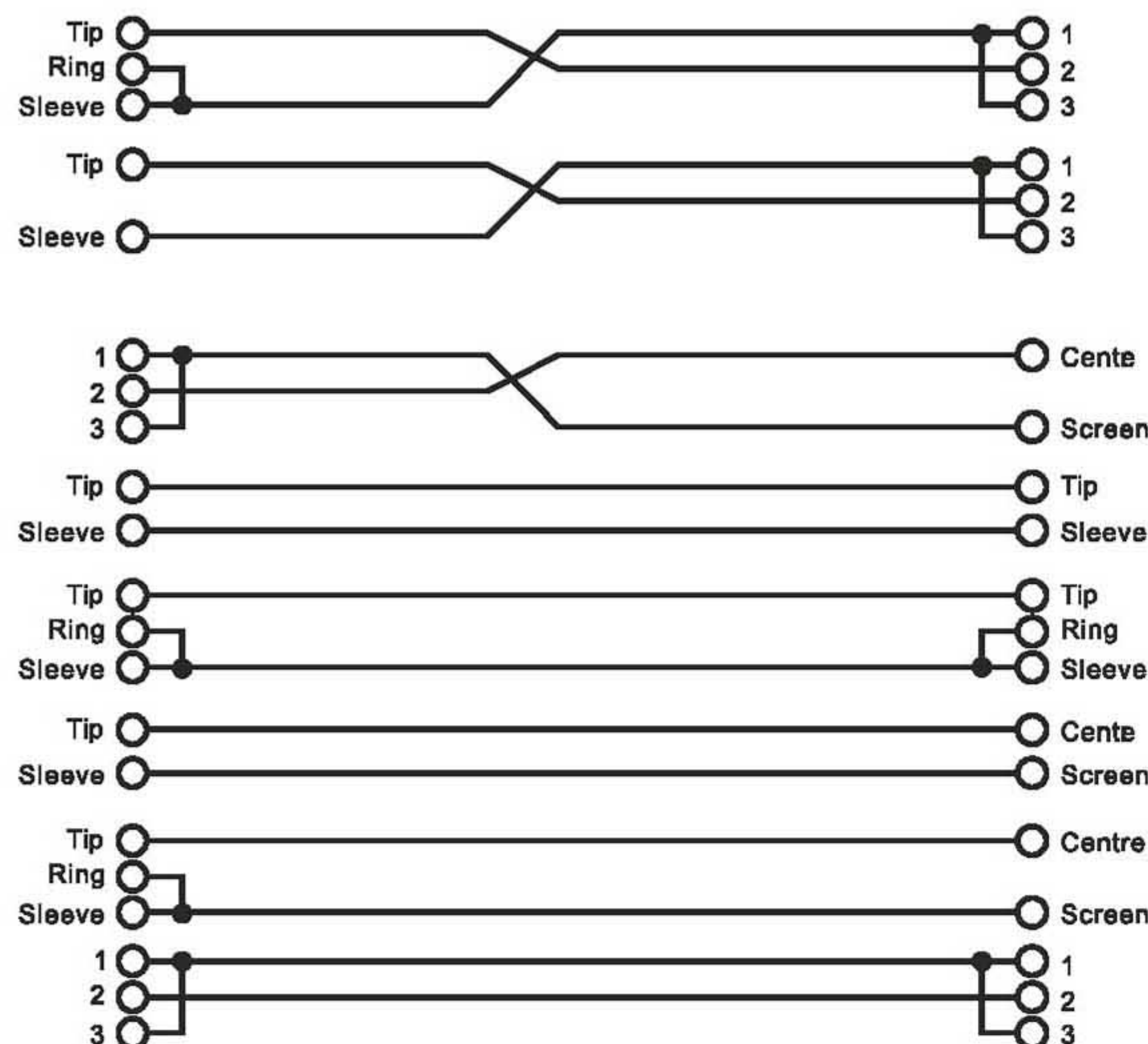
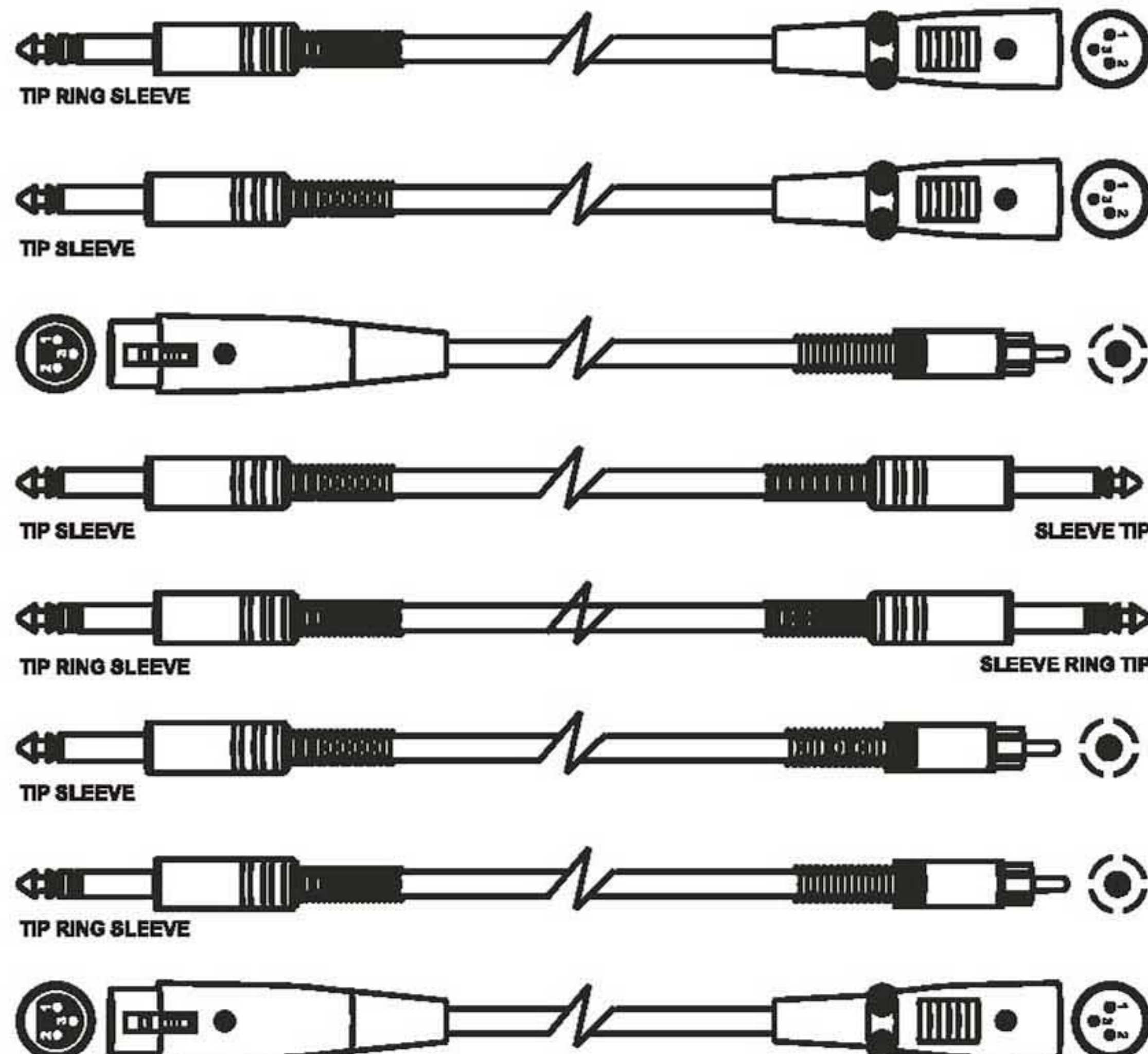
Como se mencionó antes, esta unidad cuenta con varios tipos de conectores, para diferentes aplicaciones.

Los siguientes son algunos ejemplos de conexiones que se utilizan como interfase entre diferentes equipos:

• Balanceado



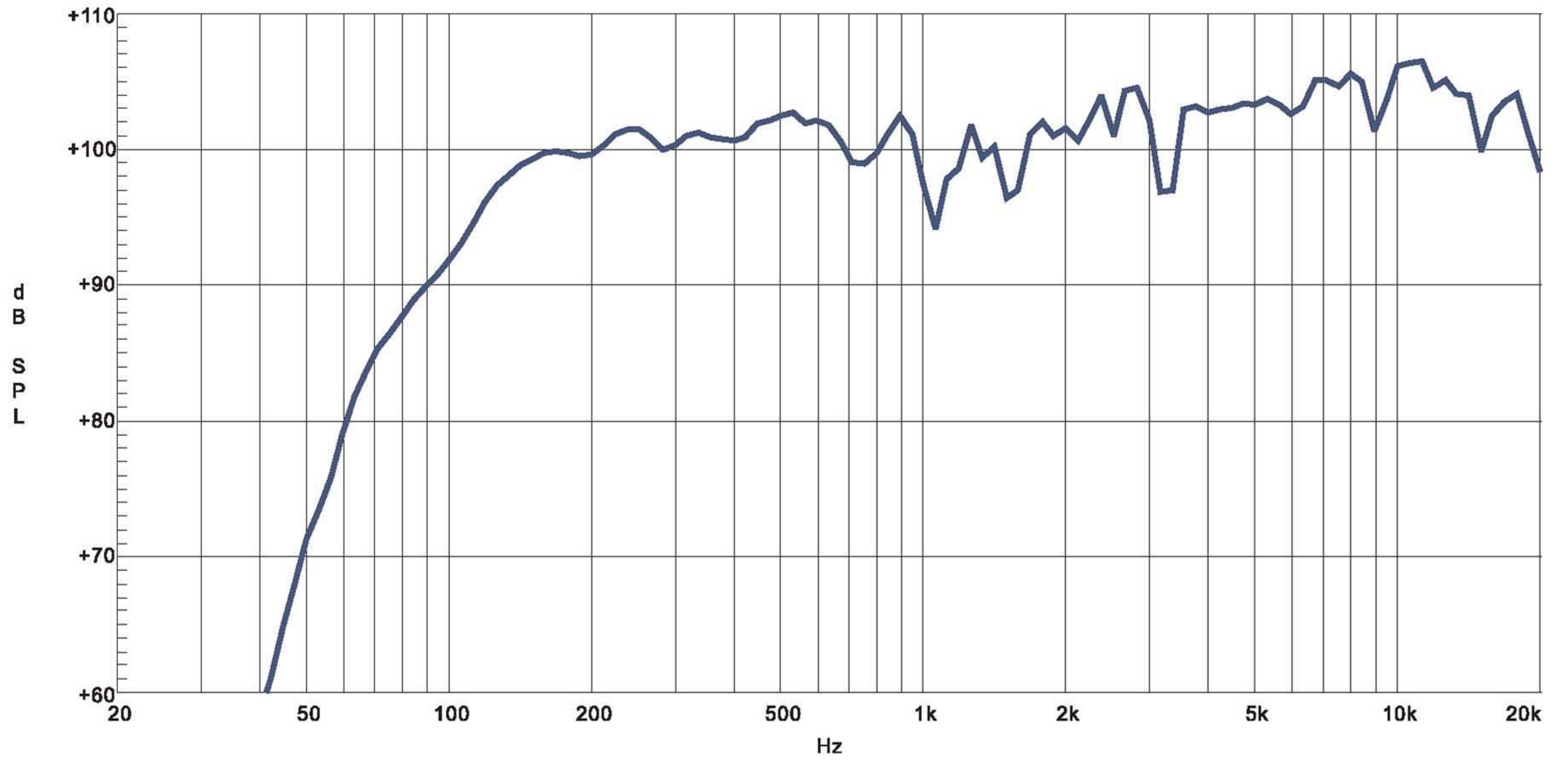
• No Balanceado



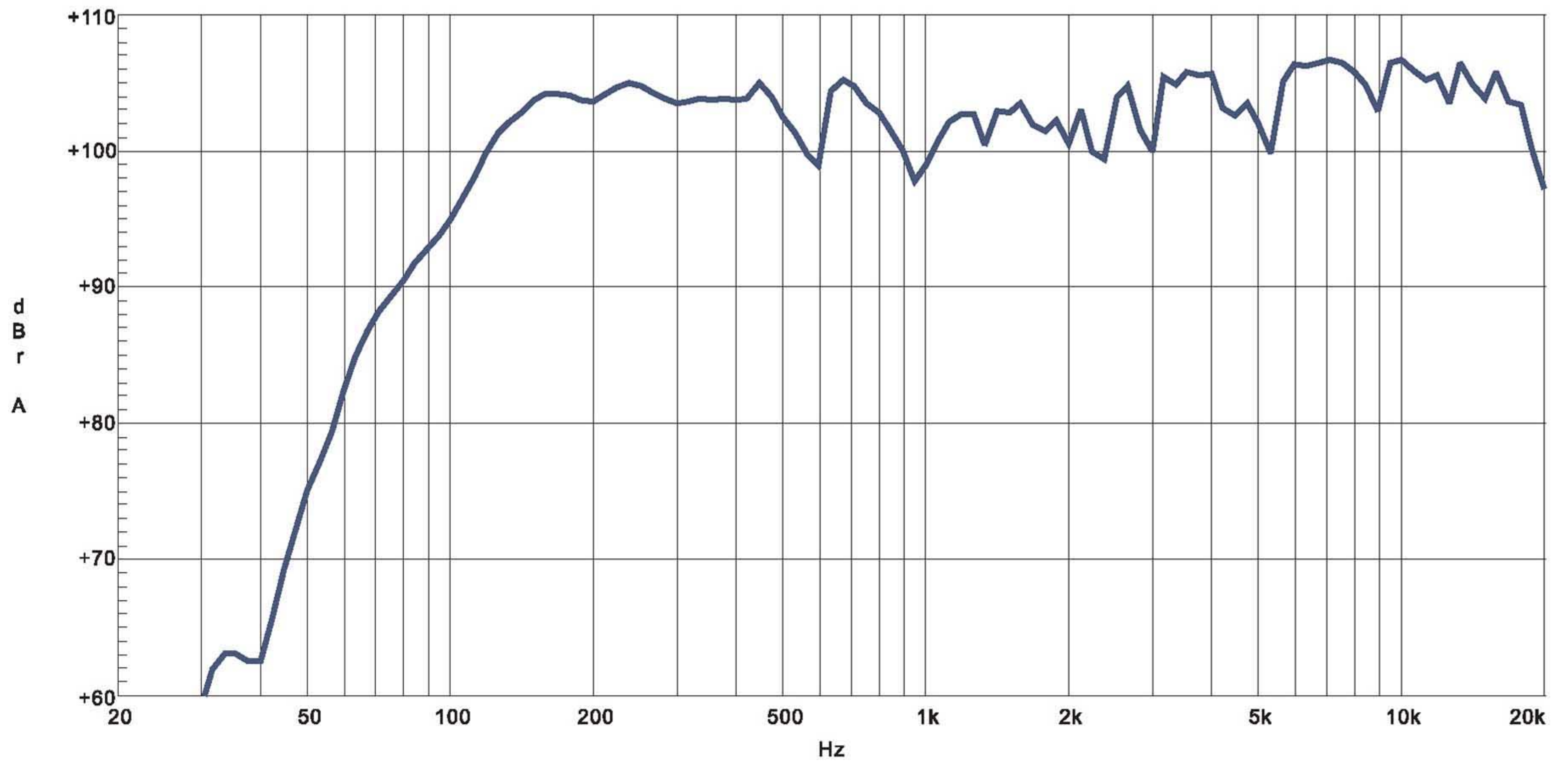
7

Respuesta de Frecuencia

TPS 10MA

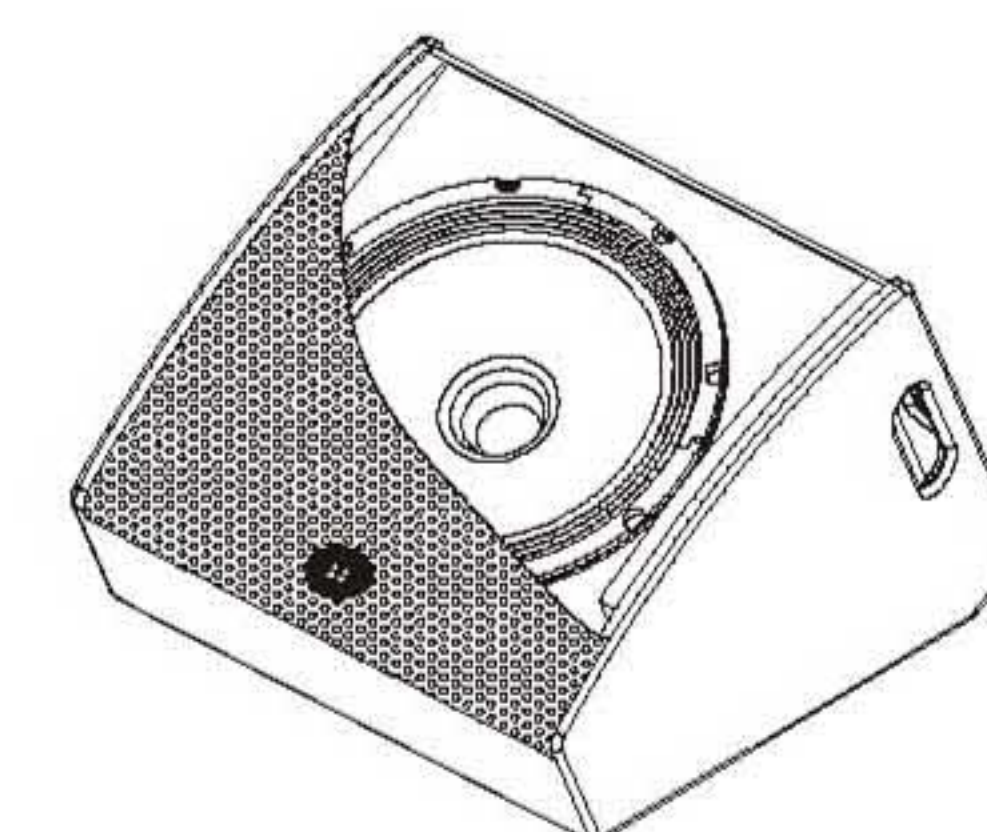


TPS 12MA



Especificaciones Técnicas

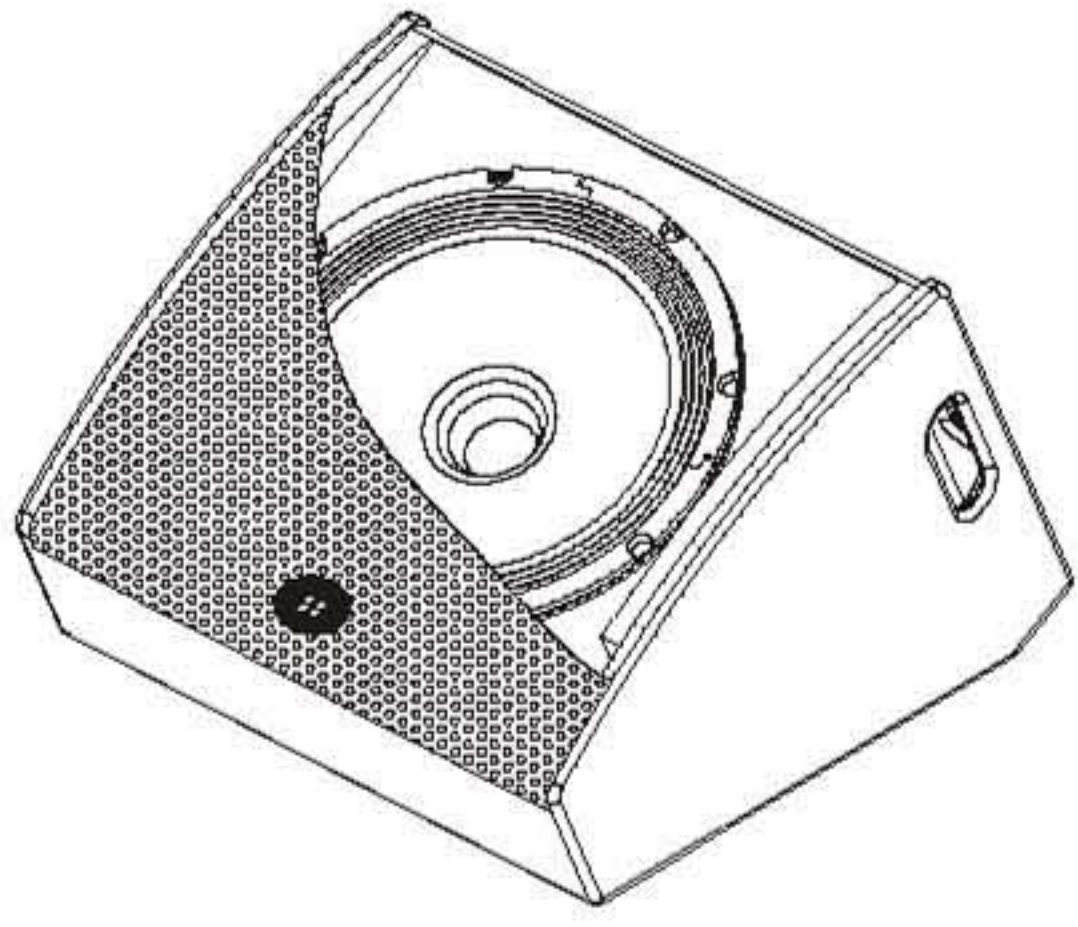
8



Modelo	TPS 10MA
Tipo	Monitor Potenciado 2 Vías Bi-Amplificado
Watts Continuos	350W en Bajos Clase D + 65W en Altos Clase AB
Watts Programa	700W en Bajos Clase D + 130W en Altos clase AB
Conectores de Entrada	Tipo Combo XLR / 1/4 (XLR para Lazo)
Control Externo	Volumen, Interruptor de Encendido con luz Verde / Clip Limitador con luz Roja / Selector de Tierra
Impedancia de Entrada	30 K ohmios Balanceado / 15K ohmios no Balanceado
Selector de funcionamiento	Opción de Monitor o FOH
Sensibilidad de Entrada	Línea - 6dBu
Protección	Limitador Análogo
Indicadores	De Encendido e Indicador de Clip/Limitador
Fuente de Poder	Seleccionable 110-120V~50/60Hz/220-240V~50/60Hz
Respuesta de Frecuencia	68Hz - 20KHz (-6dB)
Sensibilidad (SPL 1 m)	94dB / 120dB Max.
Bocina	10" (254mm) Bobina de 2" Ventilada
Driver	Neodimio de 1" - Bobina de 1"
Cobertura (H x V)	70° x 70°
Gabinete	Forma Trapezoidal, Acabado en Pintura, Agarraderas y Parrilla de Metal, Soportes de Hule
Dimensiones (A x F x P)	10.7" (273mm) x 14.3" (362mm) x 14.54" (368mm)
Peso Neto	11,65 Kg / 25,68 lbs.

8

Especificaciones Técnicas



Modelo	TPS 12MA
Tipo	Monitor Potenciado 2 Vías Bi-Amplificado
Watts Continuos	350W en Bajos Clase D + 65W en Altos Clase AB
Watts Programa	700W en Bajos Clase D + 130W en Altos clase AB
Conectores de Entrada	Tipo Combo XLR / 1/4 (XLR para Lazo)
Control Externo	Volumen, Interruptor de Encendido con luz Verde / Clip Limitador con luz Roja / Selector de Tierra
Impedancia de Entrada	30 K ohmios Balanceado / 15K ohmios no Balanceado
Selector de funcionamiento	Opción de Monitor o FOH
Sensibilidad de Entrada	Línea - 6dBu
Protección	Limitador Análogo
Indicadores	De Encendido e Indicador de Clip/Limitador
Fuente de Poder	Seleccionable 110-120V~50/60Hz/220-240V~50/60Hz
Respuesta de Frecuencia	68Hz - 20KHz (-6dB)
Sensibilidad (SPL 1m)	95dB / 121dB Max.
Bocina	12" (305mm) Bobina de 2" Ventilada
Driver	Neodimio de 1" - Bobina de 1"
Cobertura (H x V)	70° x 70°
Gabinete	Forma Trapezoidal, Acabado en Pintura, Agarraderas y Parrilla de Metal, Soportes de Hule
Dimensiones (A x F x P)	12.3" (313mm) x 15.5" (393mm) x 20.2" (513mm)
Peso Neto	13.89 Kg / 30.62 lbs.

GARANTIA

9

Topp Pro garantiza el normal funcionamiento del producto contra cualquier defecto de fabricación y/o vicio de material, por el término de (12) meses, contados a partir de la fecha de compra por parte del usuario, comprometiéndose a reparar o cambiar, a su elección, sin cargo alguno, cualquier pieza o componente que fallare en condiciones normales de uso dentro del período mencionado.

Para que ésta garantía sea válida, el comprador original deberá presentar este certificado debidamente sellado y firmado por la casa vendedora, acompañado por la correspondiente factura de compra donde constará el modelo y número de serie del equipo adquirido.

La garantía no cubre:

- Daños ocasionados por el uso indebido del producto, reparación y/o modificación efectuados por personas no autorizadas por **Topp Pro**.
- Daños ocasionados por la conexión del equipo a otros equipos distintos de los especificados en el manual de uso, o bien por mala conexión a estos últimos.
- Daños ocasionados por tormentas eléctricas, golpes y/o transporte incorrecto.
- Daños ocasionados por excesos o caídas de tensión en la red o por conexión a redes con una tensión distinta a la requerida por la unidad.
- Daños ocasionados por la presencia de arena, ácido de pilas, agua, o cualquier elemento extraño en el interior del equipo.
- Deterioros producidos por el transcurso del tiempo, uso y/o desgaste normal de la unidad.
- Alteración o ausencia del número de serie de fábrica del equipo.

Las reparaciones solamente podrán ser llevadas a cabo el servicio técnico autorizado por **Topp Pro**, que informará acerca del plazo y demás detalles de las reparaciones a efectuarse conforme a esta garantía.

Topp Pro, reparará esta unidad en un plazo no mayor a 30 días contados a partir de la fecha de entrada de la unidad al Servicio Técnico. En aquellos casos en que debido a la particularidad del repuesto, fuera necesaria su importación, el tiempo de reparación y la viabilidad de la misma estarán sujetos a las normas vigentes para la importación de partes, en cuyo caso se informará al usuario acerca del plazo y posibilidad de reparación.

A efectos de su correcto funcionamiento, y de la validez de ésta garantía, este producto deberá ser instalado y utilizado de acuerdo a las instrucciones que se encuentran detalladas en el manual adjunto o en el envase del producto.

Esta unidad podrá presentarse para su reparación, junto a la factura de compra (o cualquier otro comprobante donde conste la fecha de compra), a su distribuidor autorizado **Topp Pro** o a un centro de servicio técnico autorizado por **Topp Pro**.

Exclusión de daños:

LA RESPONSABILIDAD DE TOPP PRO POR CUALQUIER PRODUCTO DEFECTUOSO SE LIMITA A LA REPARACIÓN O AL REEMPLAZO DEL MISMO, A OPCIÓN DE TOPP PRO. SI ELEGIMOS SUBSTITUIR EL PRODUCTO, EL REEMPLAZO PUEDE SER UNA UNIDAD REACONDICIONADA. TOPP PRO NO SERÁ RESPONSABLE POR LOS DAÑOS BASADOS EN LA INCONVENIENCIA, PÉRDIDA DE USO, BENEFICIOS PERDIDOS, AHORROS PERDIDOS, POR EL DAÑO A OTROS EQUIPO O A OTROS ARTÍCULOS EN EL SITIO DE USO, O POR NINGUN OTRO DAÑO SI ES FORTUITO, CONSECUENTE O DE OTRO TIPO, AUNQUE TOPP PRO HAYA SIDO ADVERTIDO DE LA POSIBILIDAD DE TALES DAÑOS.

Algunos países o estados no permiten la exclusión o la limitación a los daños fortuitos o consecuentes, así que la limitación antedicha puede no aplicarse a usted.

Esta garantía le da derechos legales específicos, usted puede también tener otros derechos que varían de estado a estado o de país a país.



TOPP PRO MUSIC GEAR

www.topppro.com

TTPS
SERIES